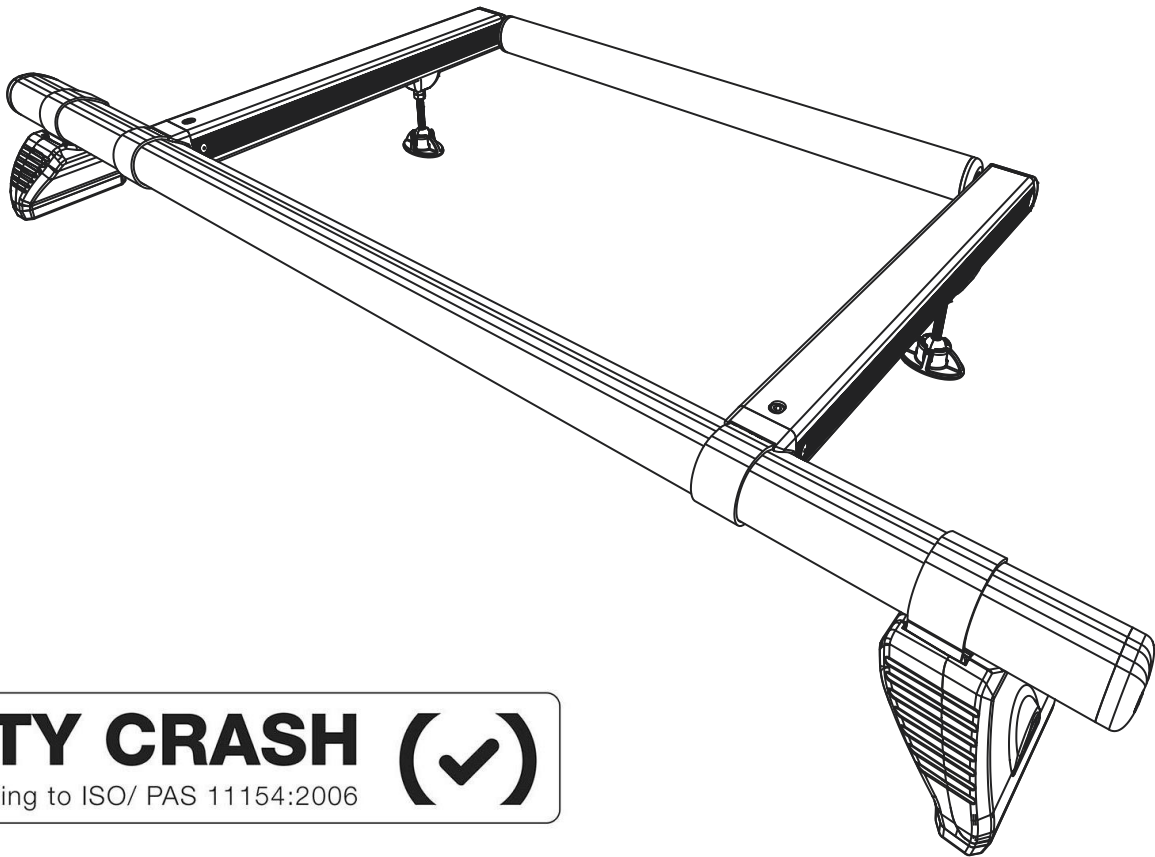


ISSUE:	DRAWN BY:	CHECKED BY:	CRF No:	DATE:	DESCRIPTION:
a	SJ	KB	2680	06/04/22	First Issue
b	SJ	KB	2753	18/07/22	Visual Updates
c	YZL	KB	3286	25/06/24	Replaced PS201 with SA527
d	SJ	KB	3415	31/01/25	Added FS107 and FS316
e					
f					
g					
h					
i					
j					
k					
l					
m					

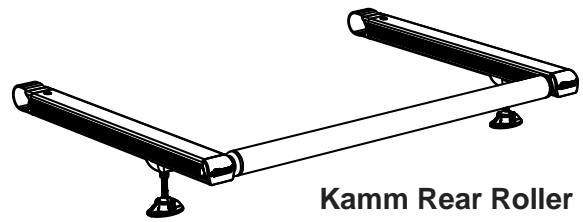
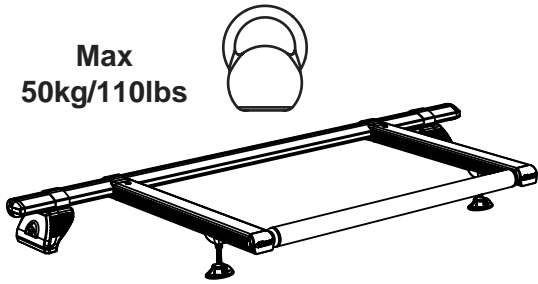
# KR28 KammRoller Instructions



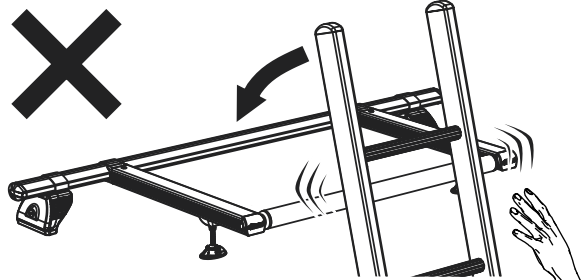
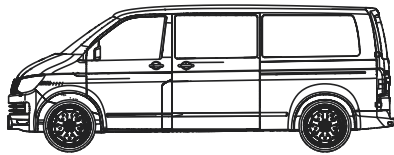
**CITY CRASH** (✓)

According to ISO/ PAS 11154:2006

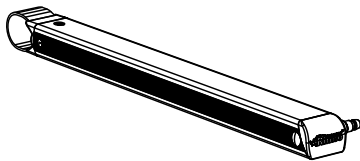
Max  
50kg/110lbs



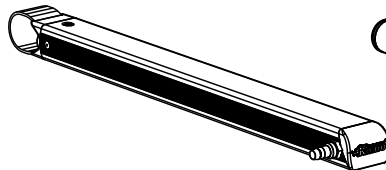
Kamm Rear Roller  
1.6kg/3.5lbs



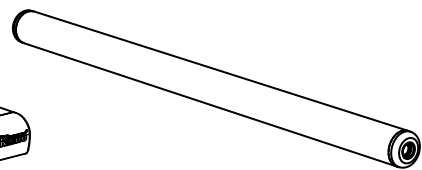
## Kamm Rear Roller



SA410/SA558 x 1

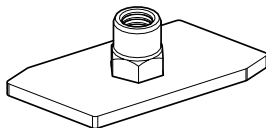


SA411/SA559 x 1

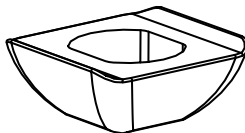


SA400 x 1

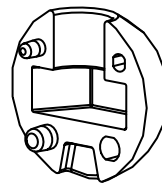
## Fitting Kit



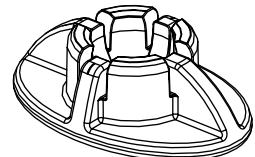
SA527 x 2



PS202 x 2



PS203 x 4



PS204 x 2

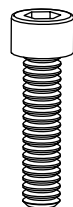


FS316  
(M8 x 110) x 2

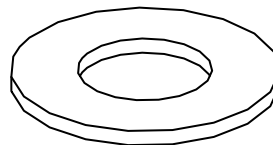
FS109  
(M8 x 90) x 2

FS107  
(M8 x 75) x 2

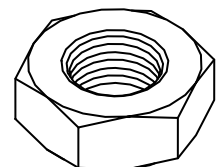
FS105  
(M8 x 55) x 2



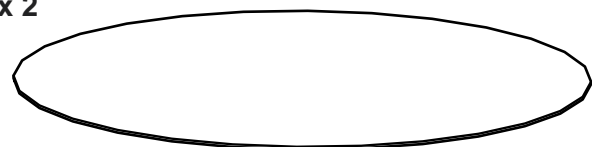
FS103  
(M6 x 25) x 2



FW021 (M8) x 2

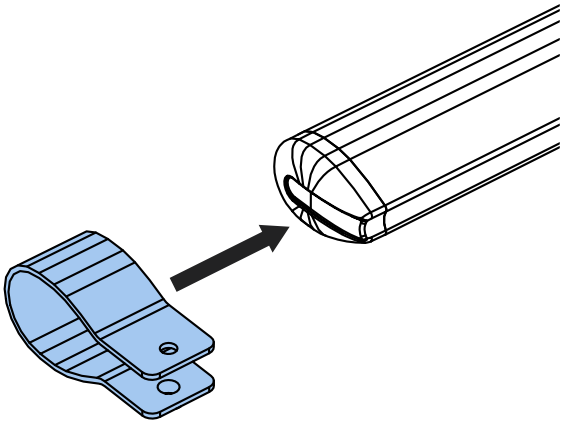


FN039 (M8) x 4

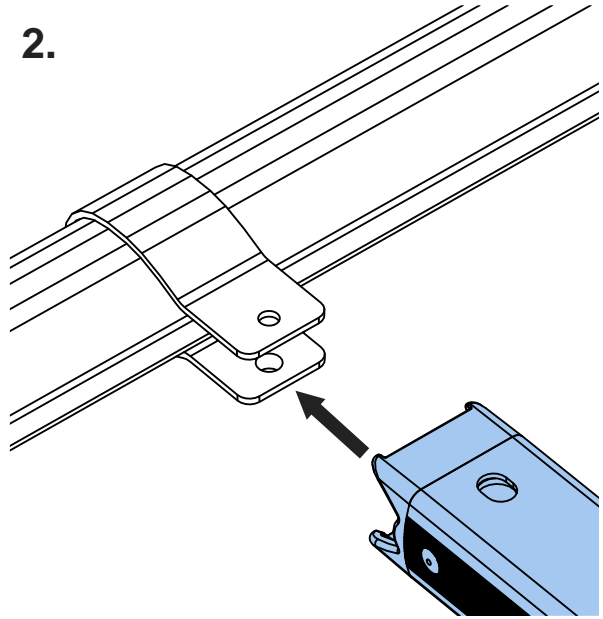


LA074 x 2

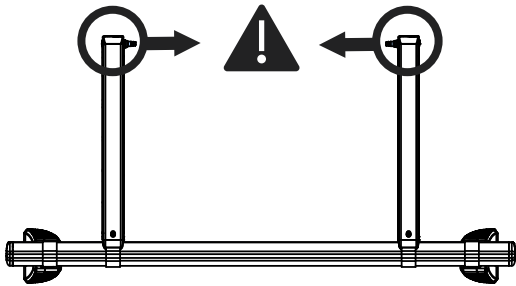
1.



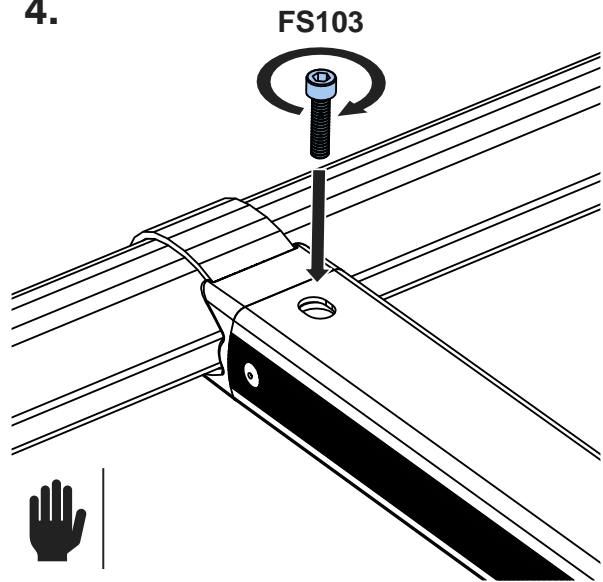
2.



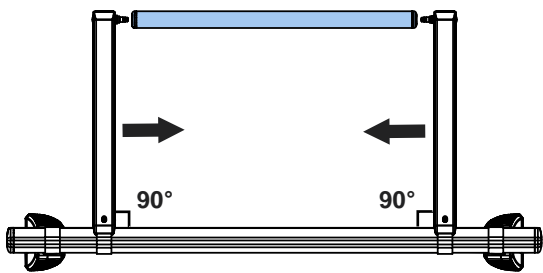
3.



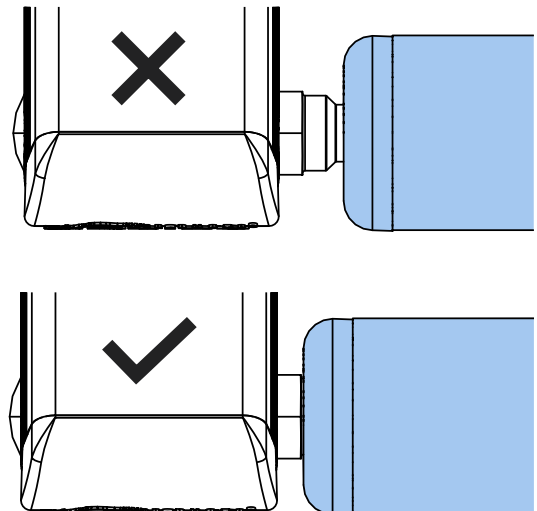
4.



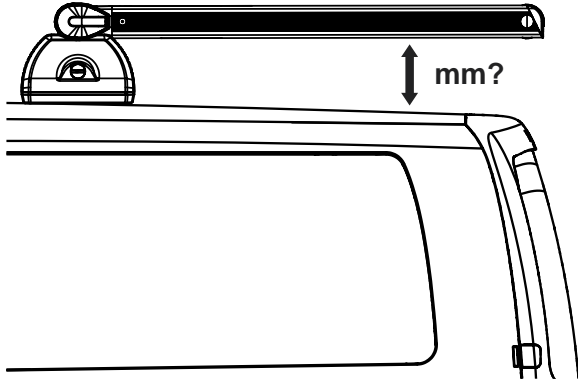
5.



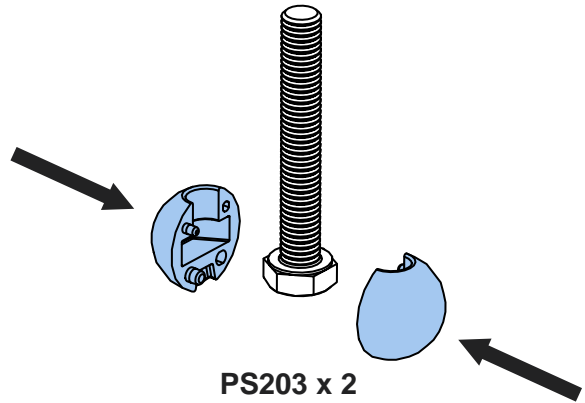
6.



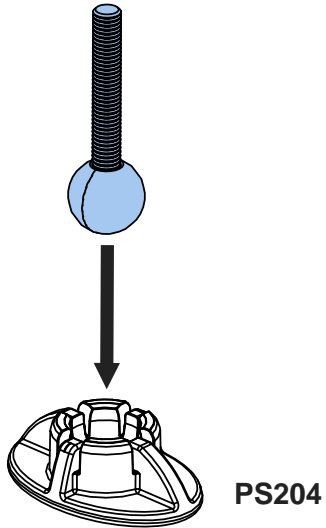
7.  
 37-52mm = FS105  
 57-72mm = FS107  
 73-88mm = FS109  
 93-108mm = FS316



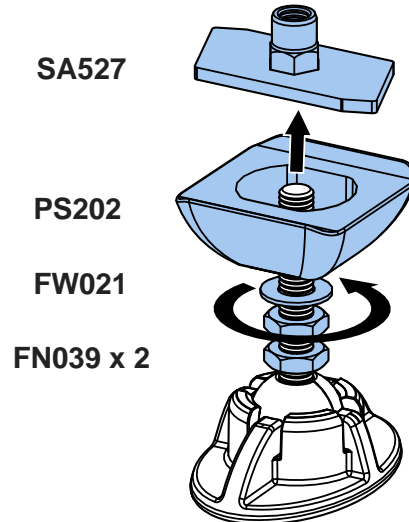
8.  
 FS105/FS107/FS109/FS316



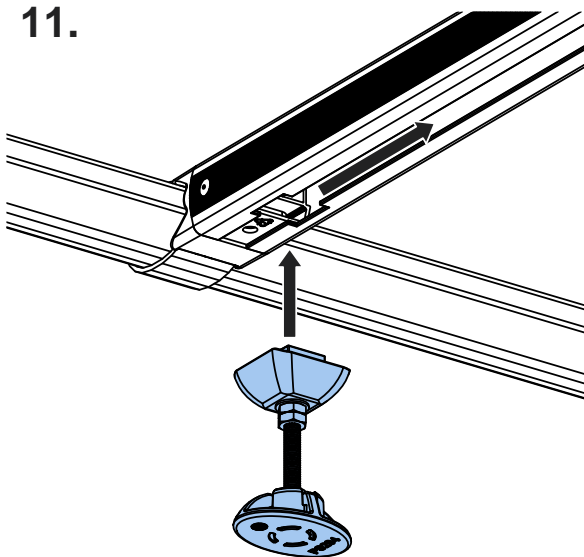
- 9.



- 10.



- 11.



- 12.

