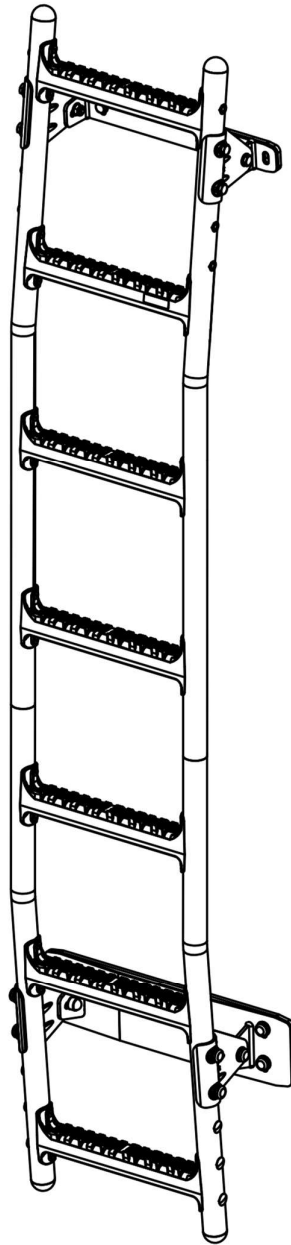
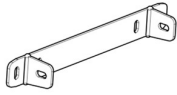
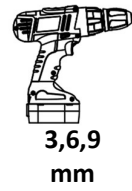


ISSUE:	DRAWN BY:	CHECKED BY:	CRF No:	DATE:	DESCRIPTION:
a	FT	KB	3638	09/01/25	First Issue
b					
c					
d					
e					
f					
g					
h					
i					
j					
k					
l					
m					

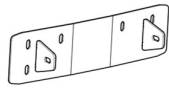
LK48

Instructions

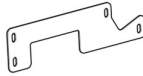




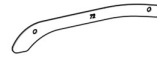
LW004
x 1



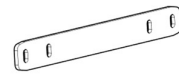
LW021
x 1



LR073
x 1



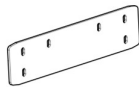
LR072
x 1



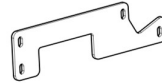
PS054
x 1



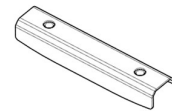
PS632
x 1



PS657
x 1



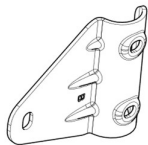
PS656
x 1



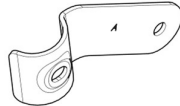
MS1016
x 2



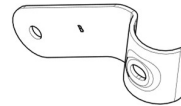
LR005
x 1



LR006
x 1



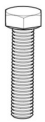
LR064
x 1



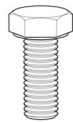
LR065
x 1



LR066
x 2



FS061
(M8x35)
x 6



FS067
(M8x20)
x 16



FW021
(M8)
x 38



FN080
(M8)
x 12



FN060
(M8)
x 4



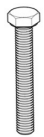
PS414
(M8)
x 20



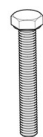
PS065
(M8)
x 6



PS419
x 12



FS105
(M8x55)
x 2



FS109
(M8x90)
x 2



PS204
x 2



PS203
x 4



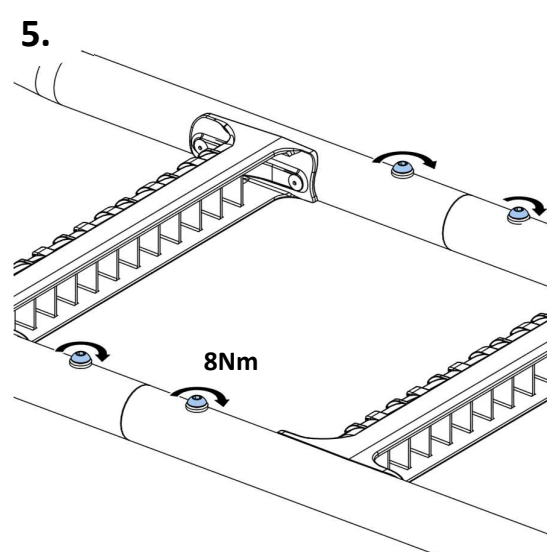
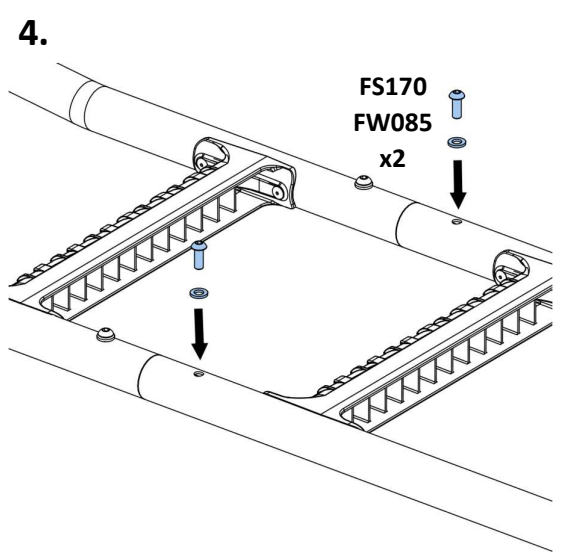
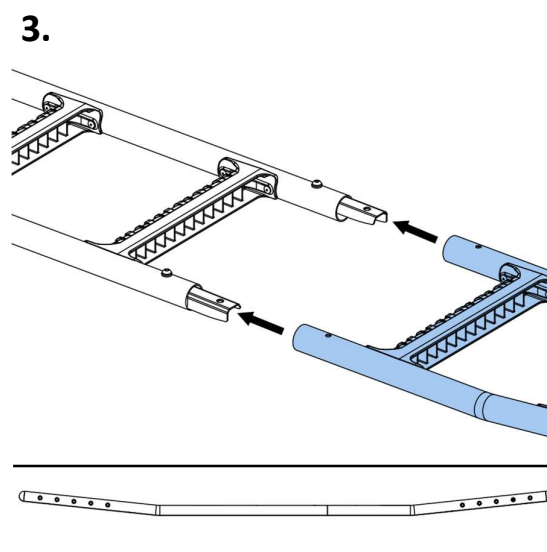
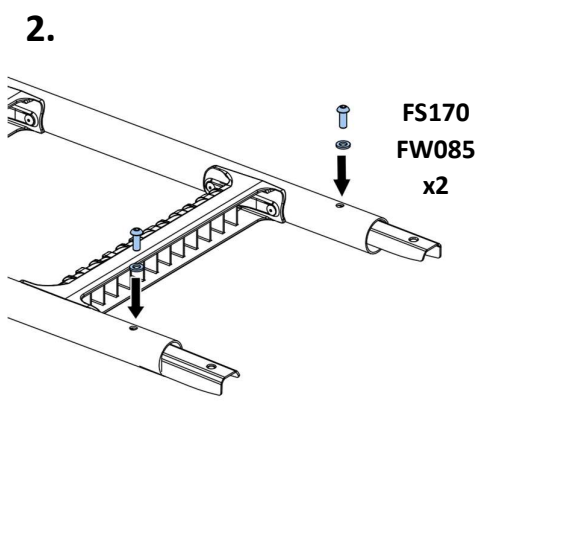
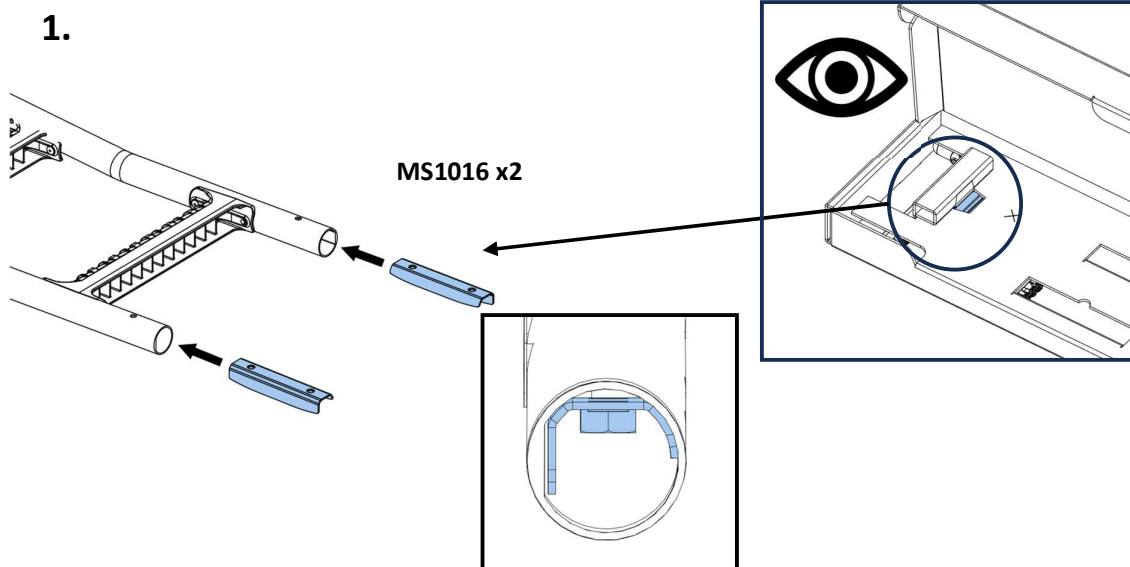
LA074
x 2



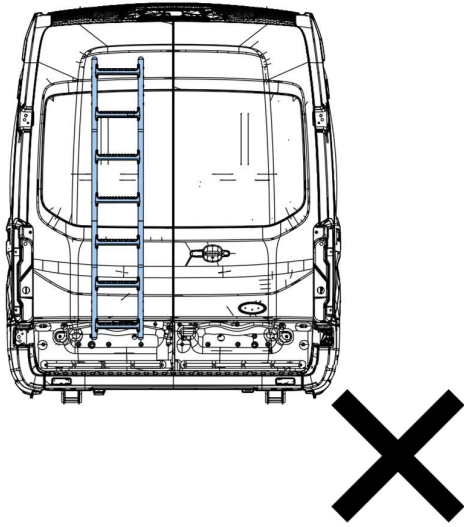
FW085
(M6)
x 4



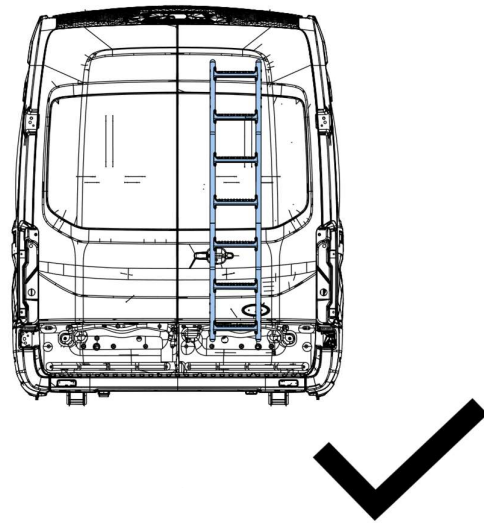
FS170
(M6x16)
x 4



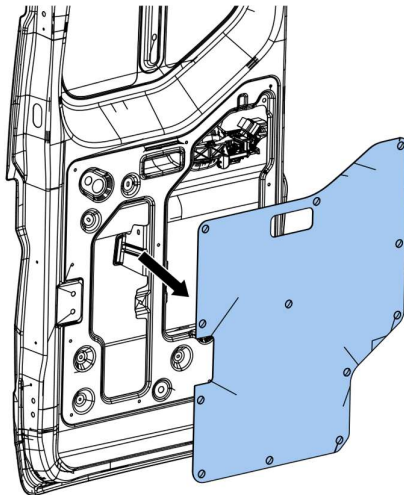
6.



7.

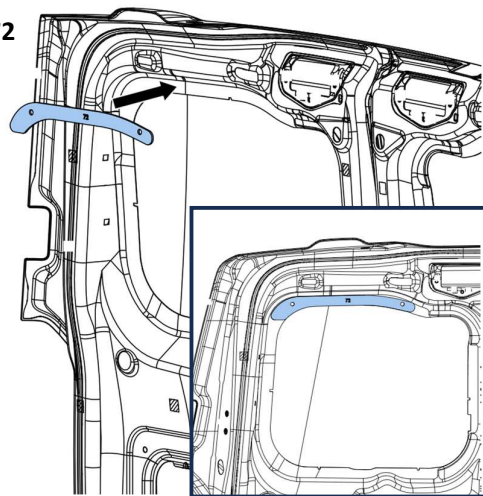


8.

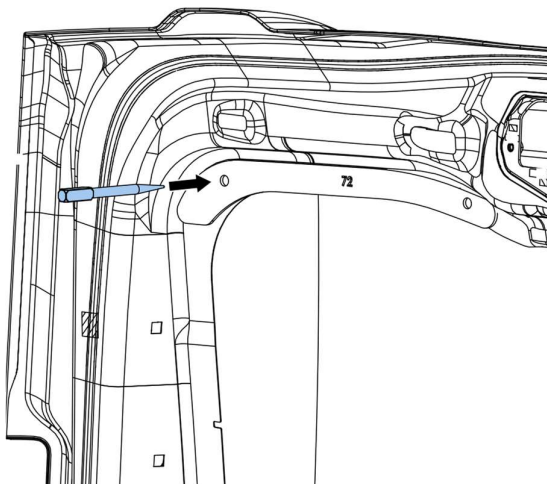


9.

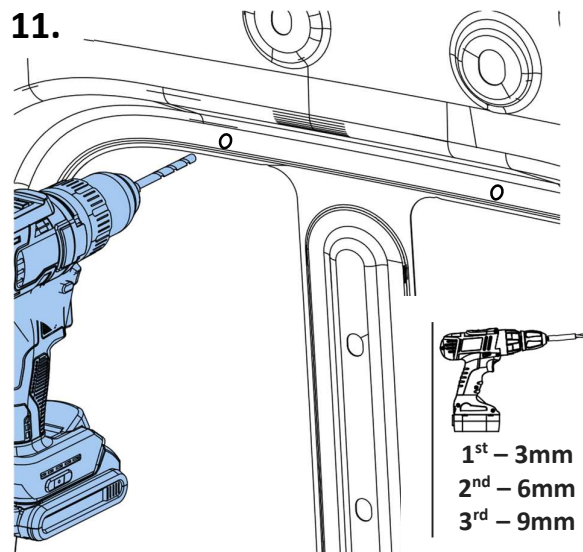
LR072
x1



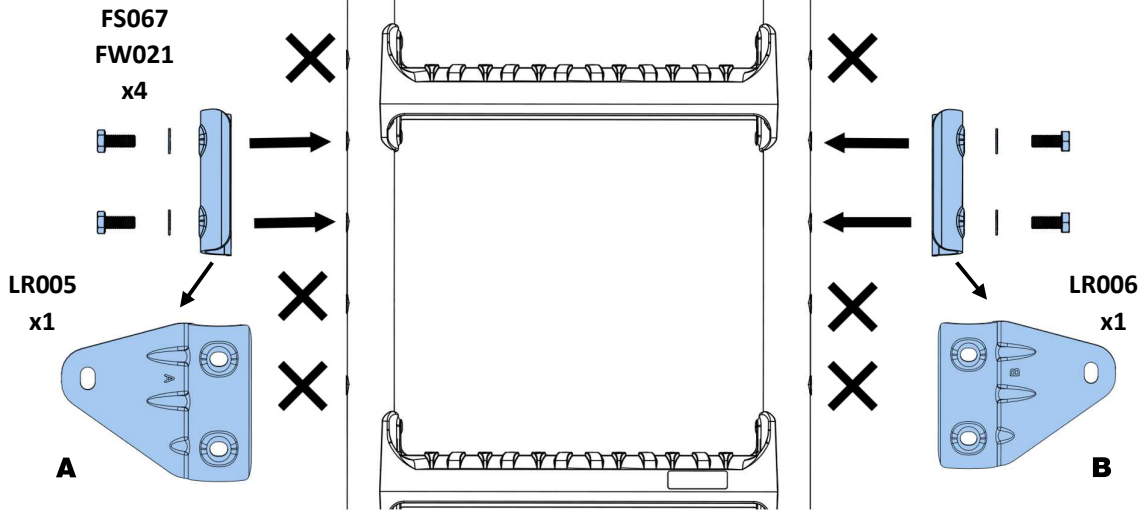
10.



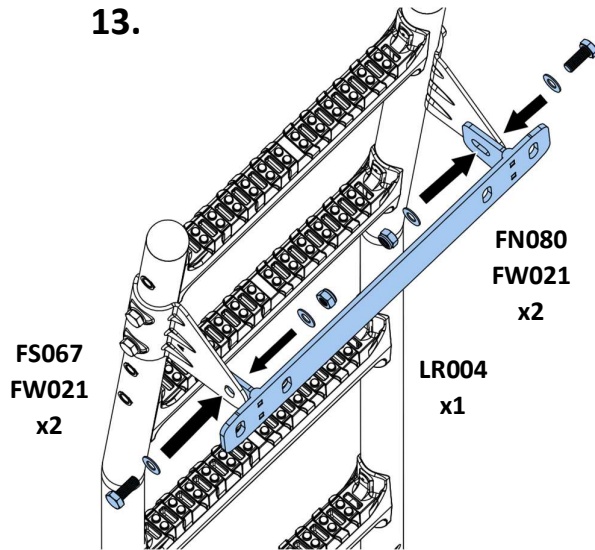
11.



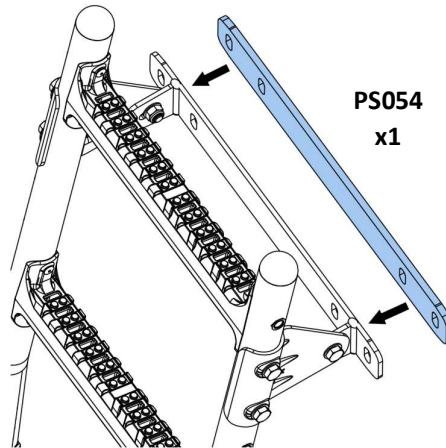
12.



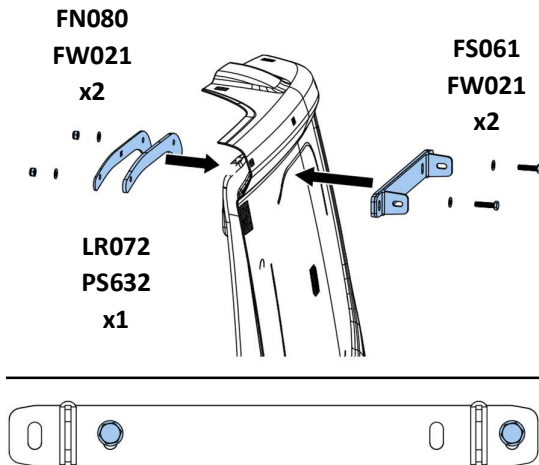
13.



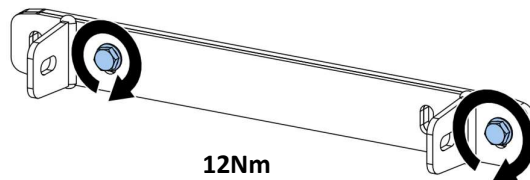
14.

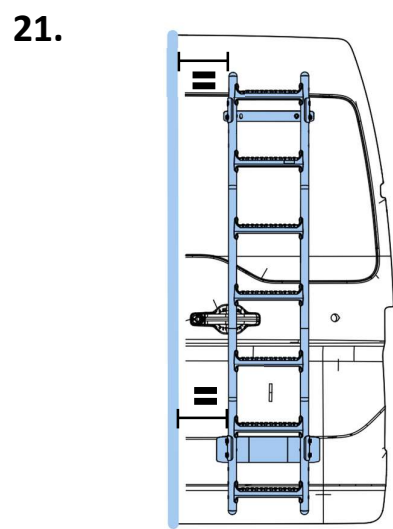
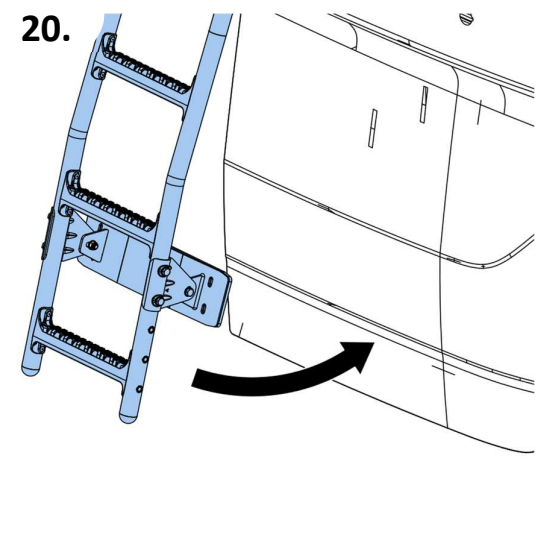
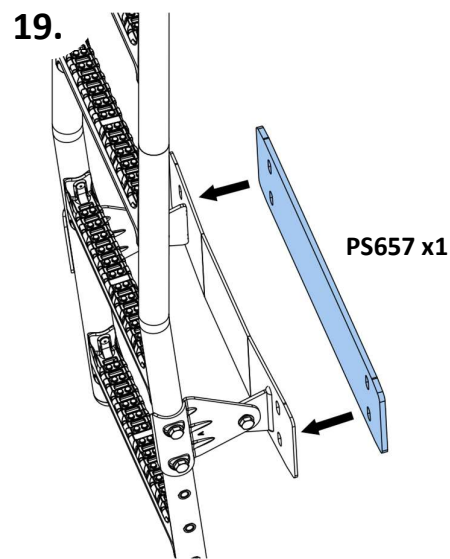
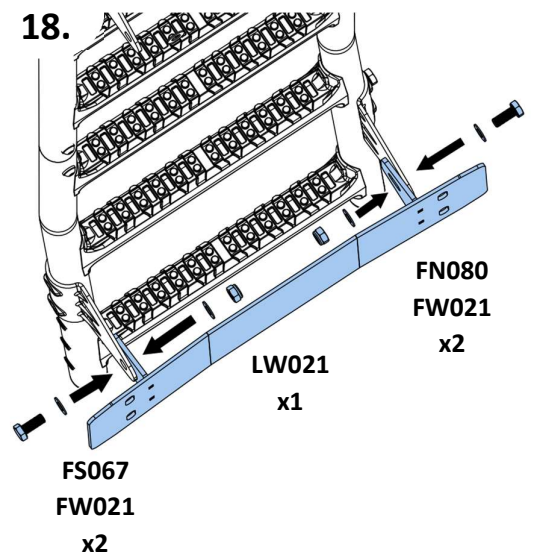
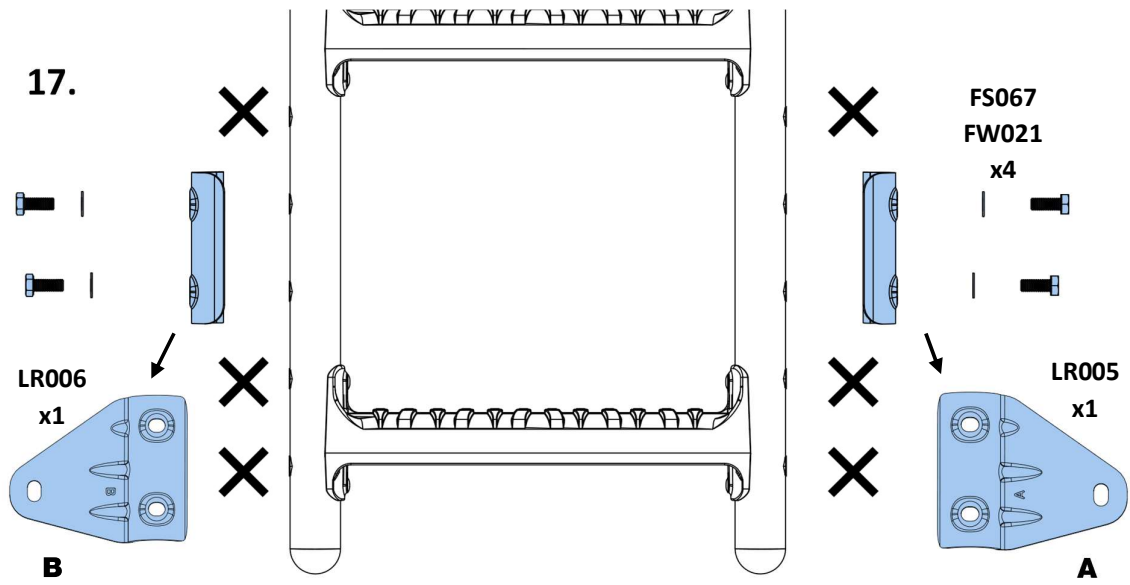


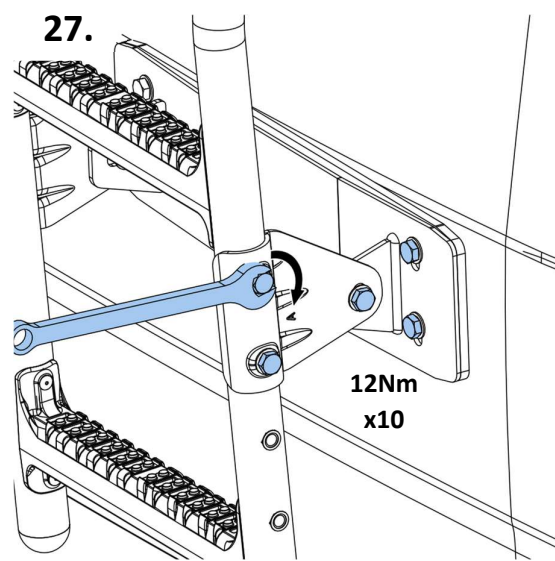
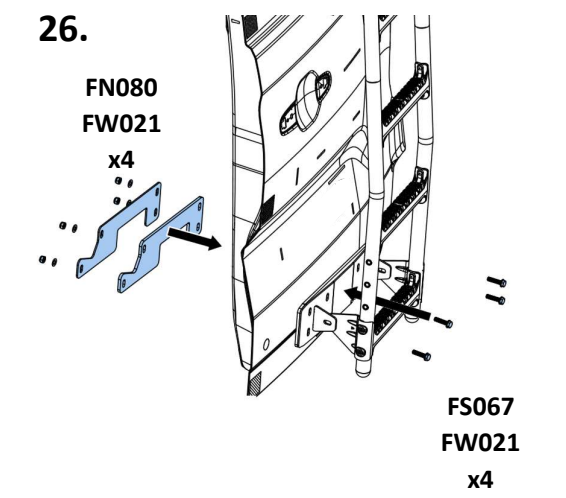
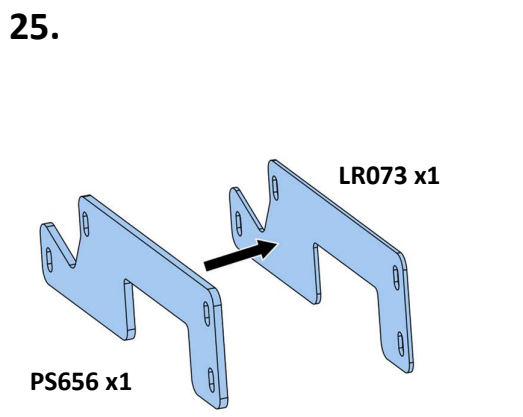
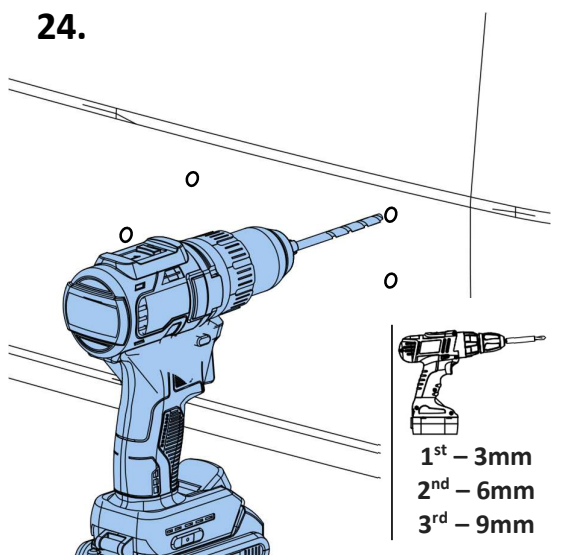
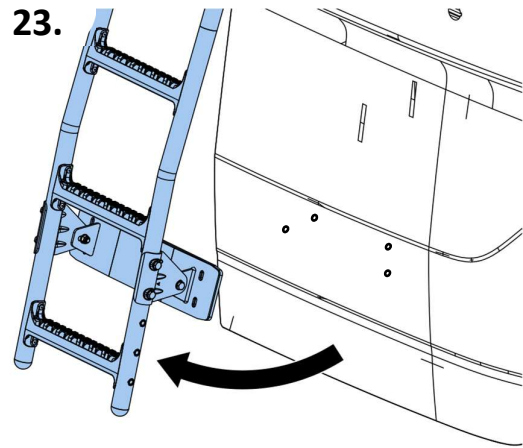
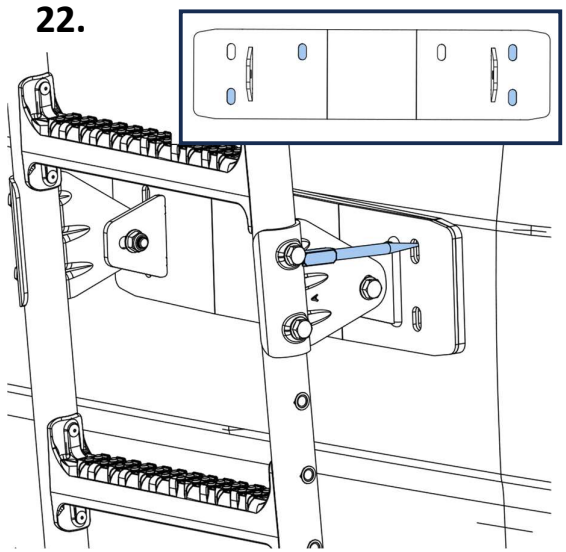
15.



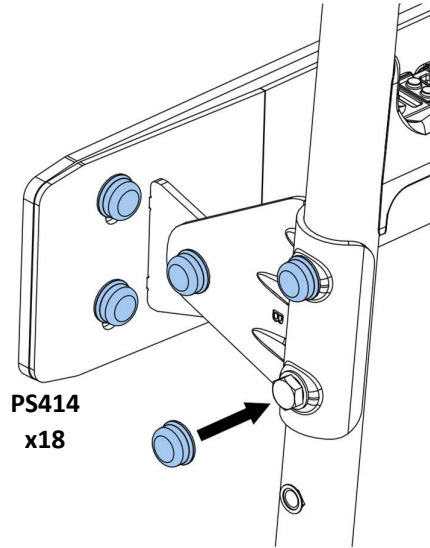
16.



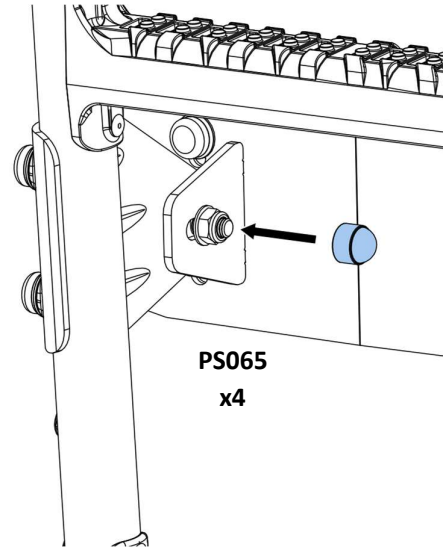




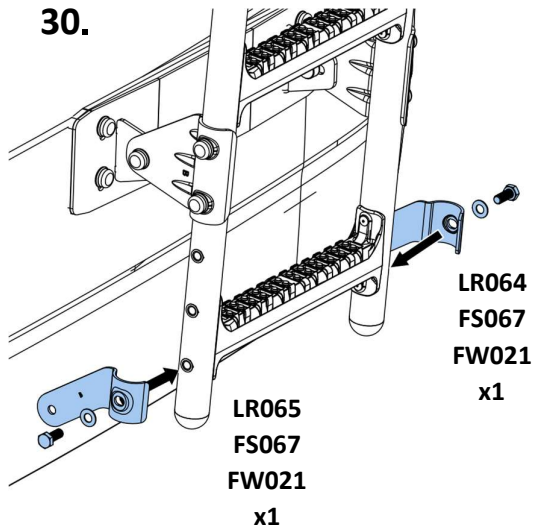
28.



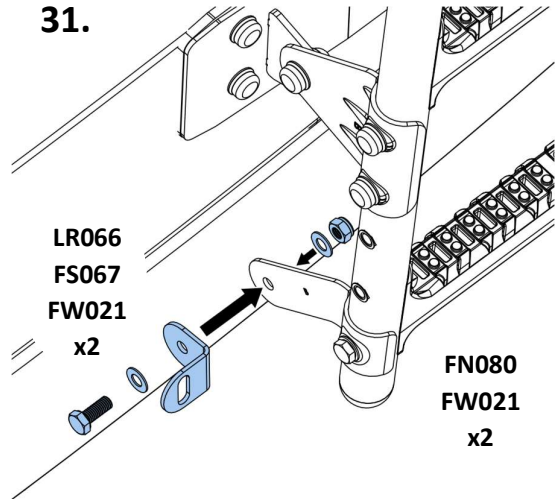
29.



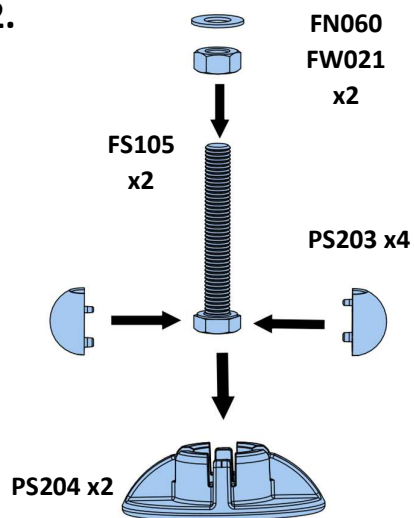
30.



31.



32.



33.

