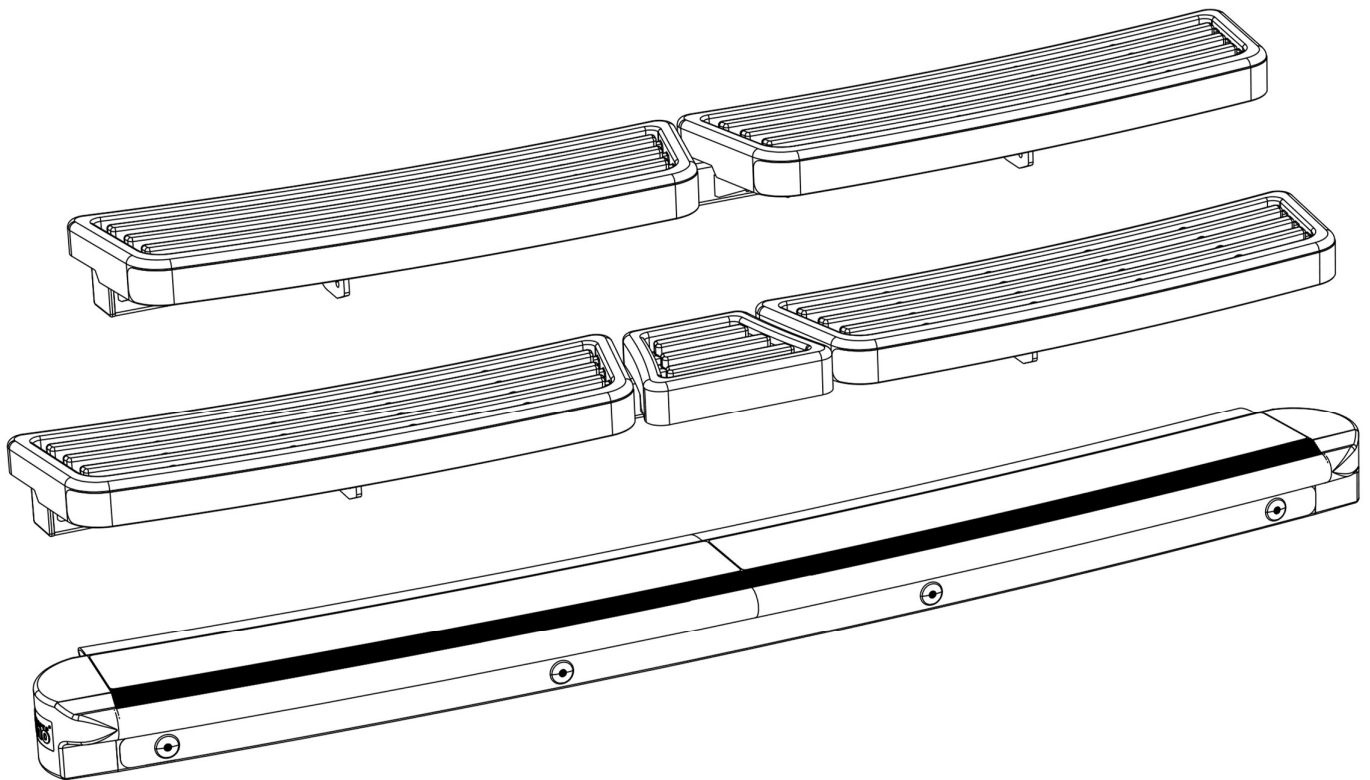


ISSUE:	DRAWN BY:	CHECKED BY:	CRF No:	DATE:	DESCRIPTION:
a	FT	KB	3601	17/11/25	First Issue
b					
c					
d					
e					
f					
g					
h					
i					
j					
k					
l					
m					

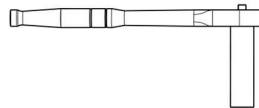
SSK049

AccessStep/ImpactStep

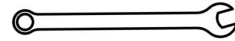
Instructions



Farizon SV 2025-

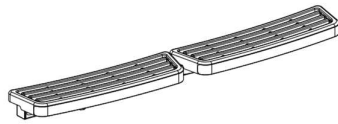


13mm, 15mm &
18mm

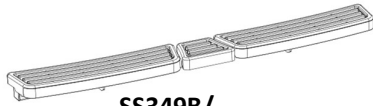


13mm

AccessStep – Steps 1-13



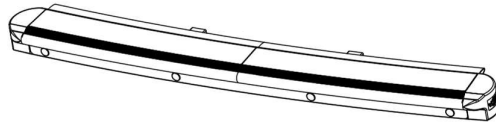
SS249B/
SS249Y
x 1



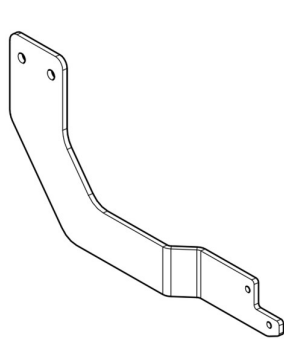
SS349B/
SS349Y
x 1



ImpactStep – Steps 14-26

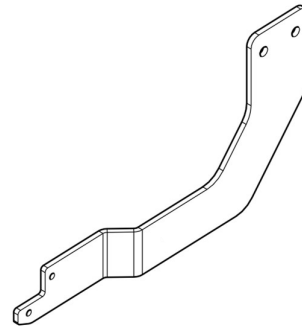


IMS49 x1



MS2137

x 1

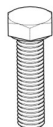


MS2138

x 1

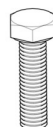


Fitting Kit



FS089
(M12x110)

x 4



FB006
(M8x30)

x 4



FW020
(M8)

x 4



FW021
(M8)

x 8



FW026
(M12)

x 8



FN006
(M8)

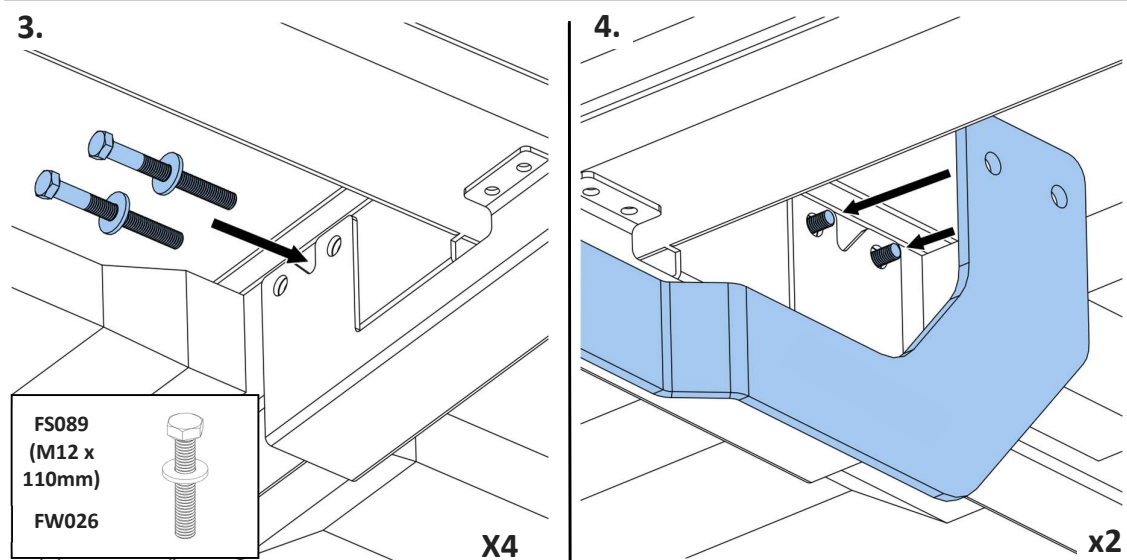
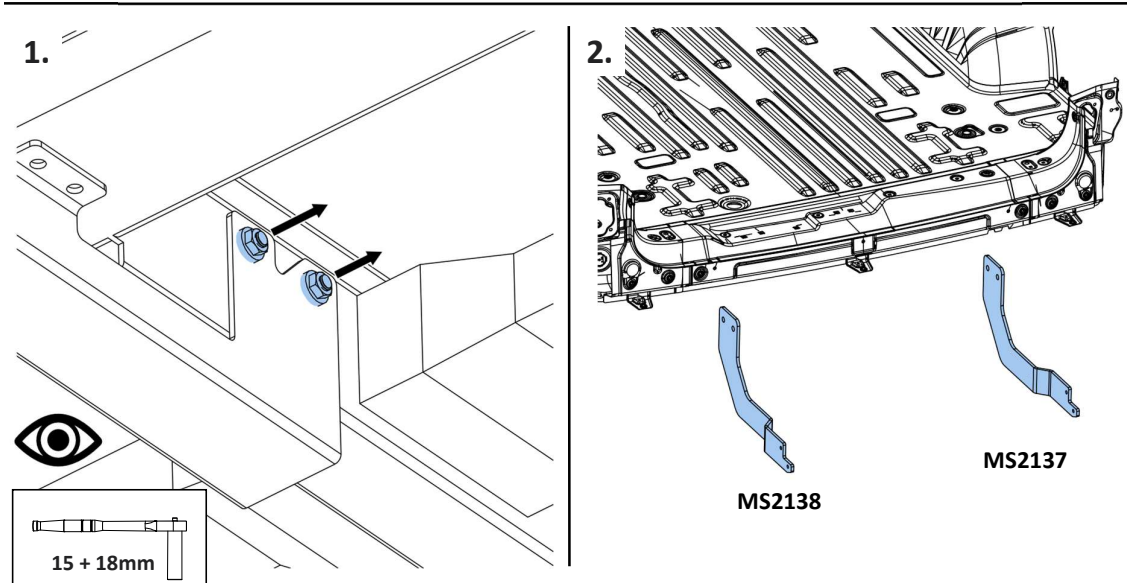
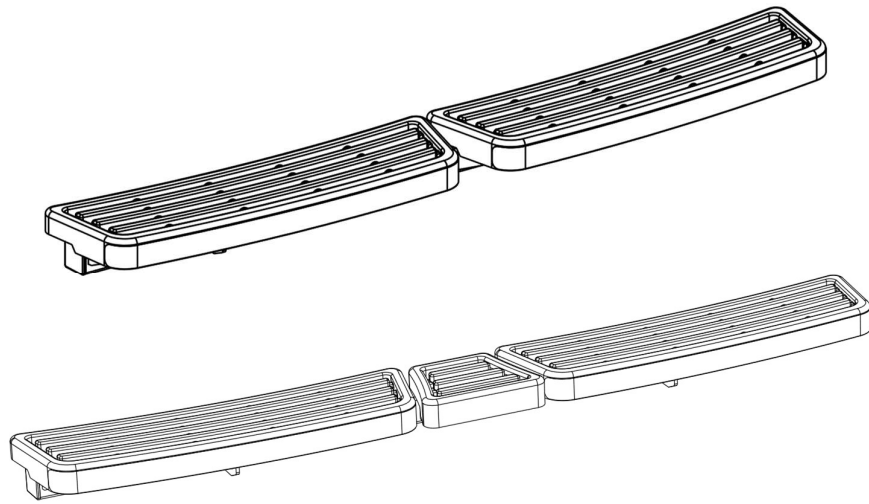
x 4

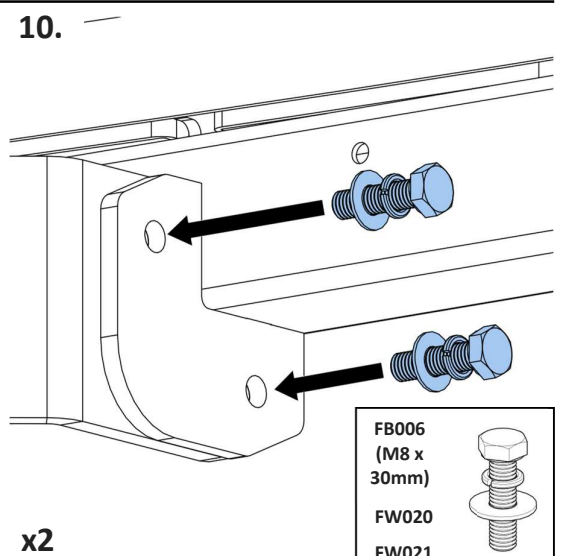
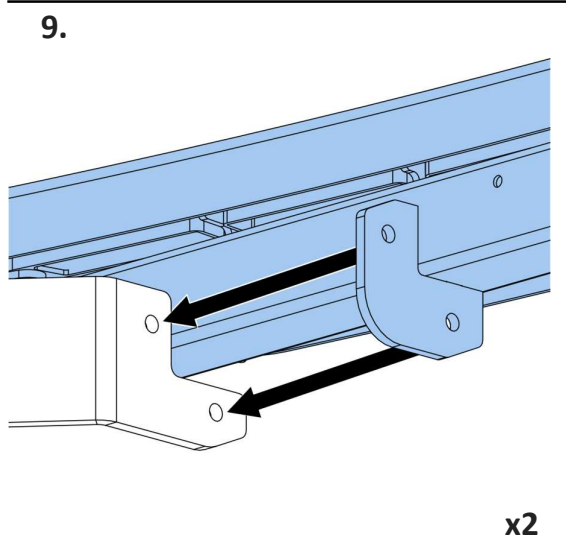
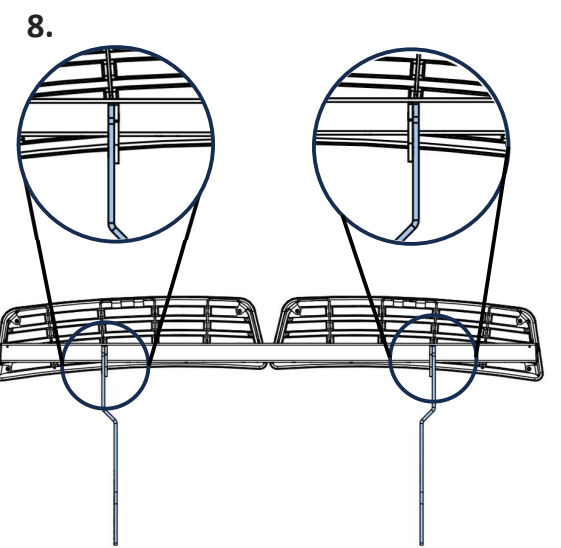
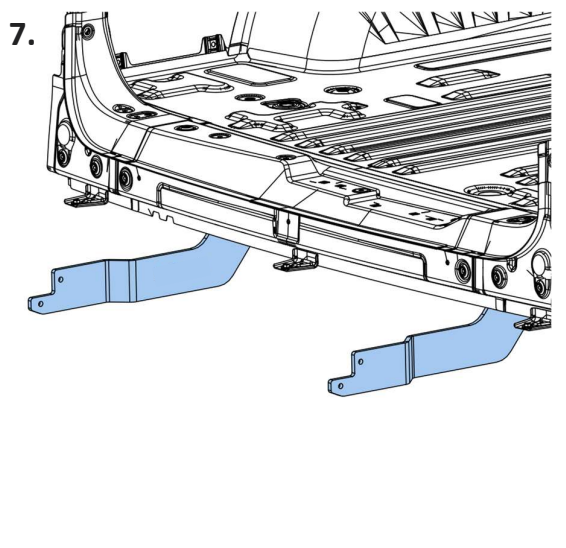
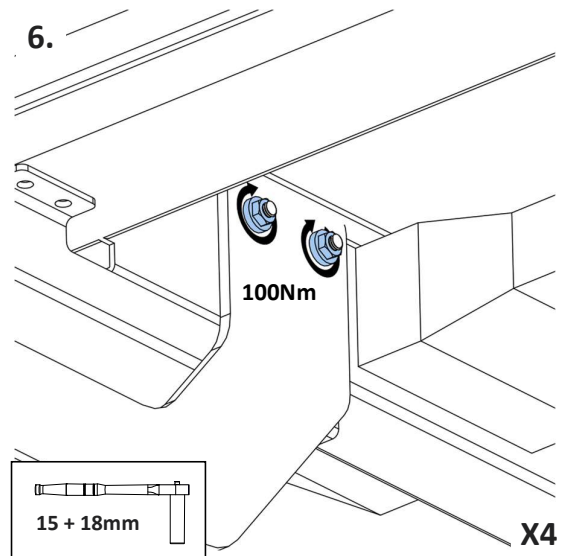
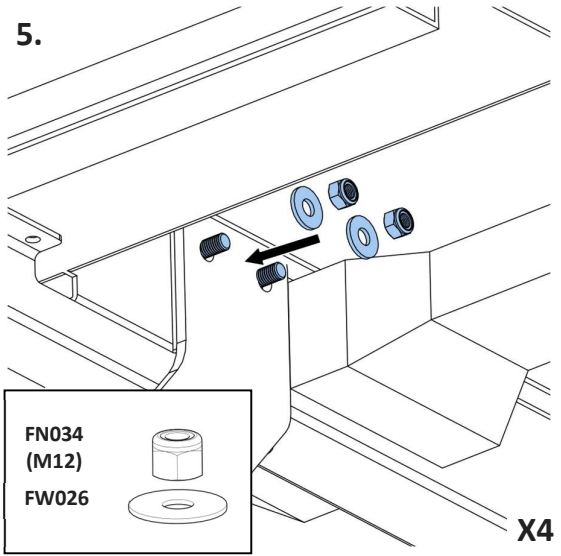


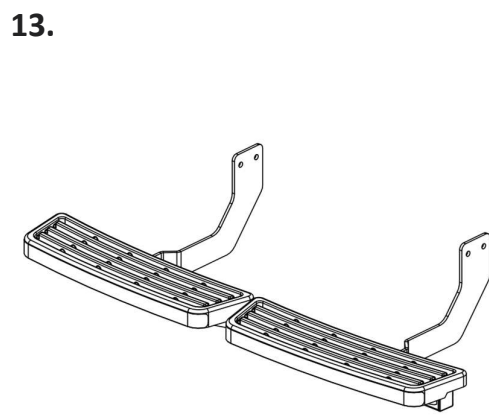
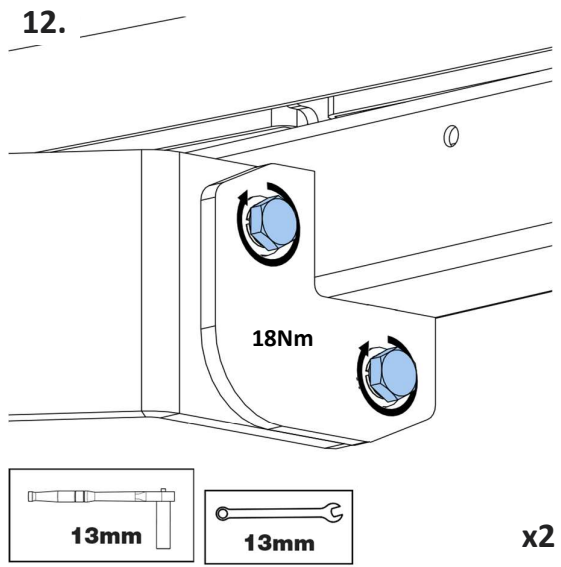
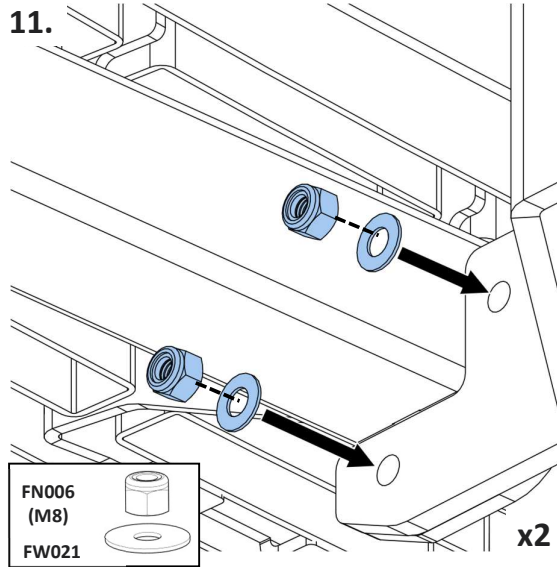
FN034
(M12)

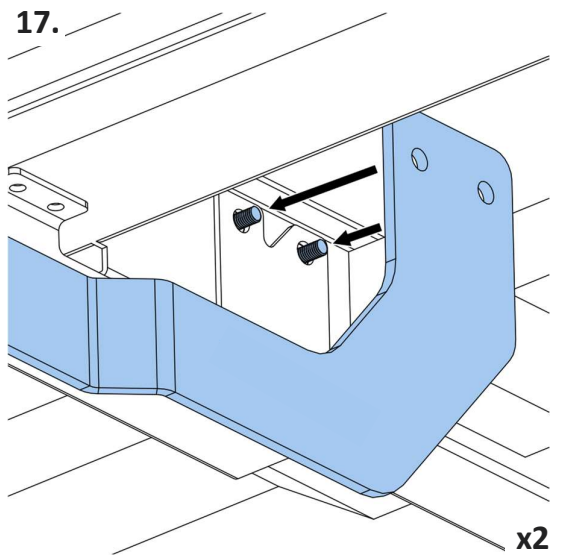
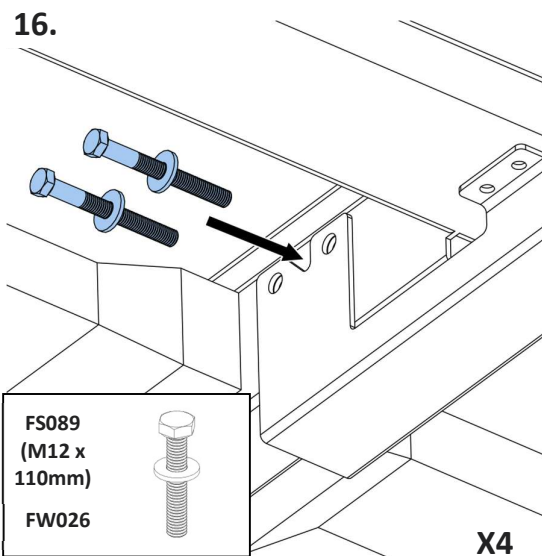
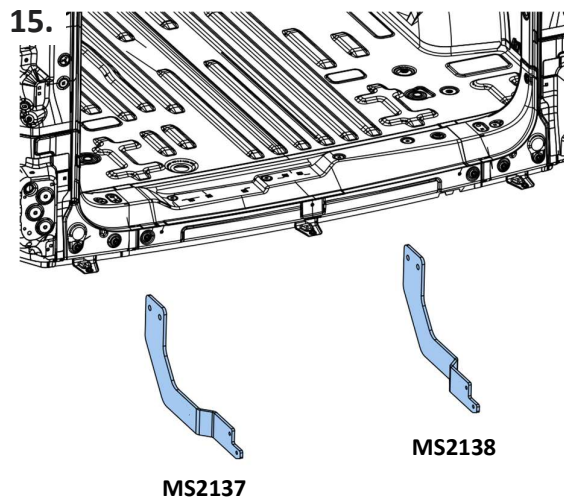
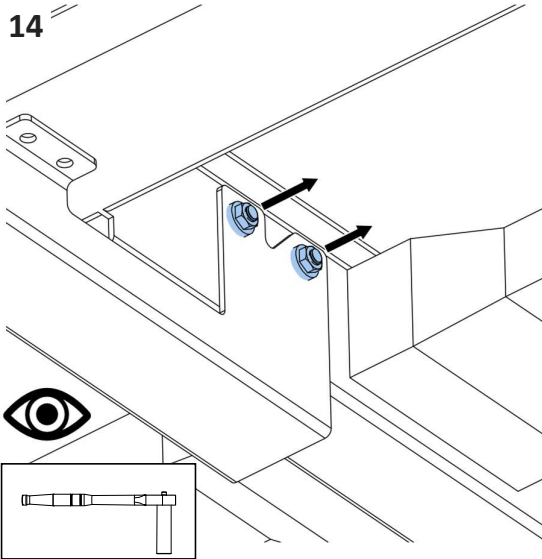
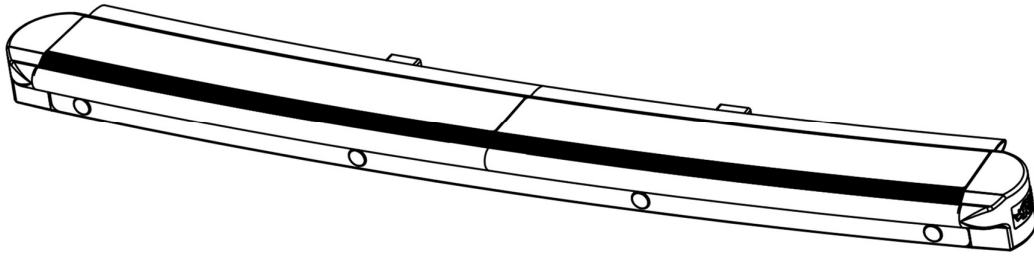
x 4

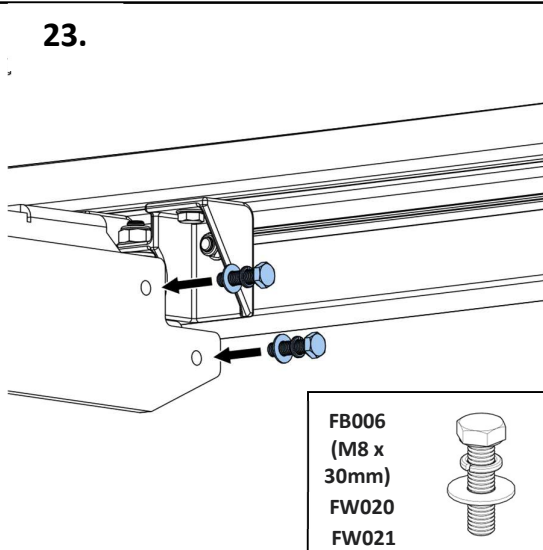
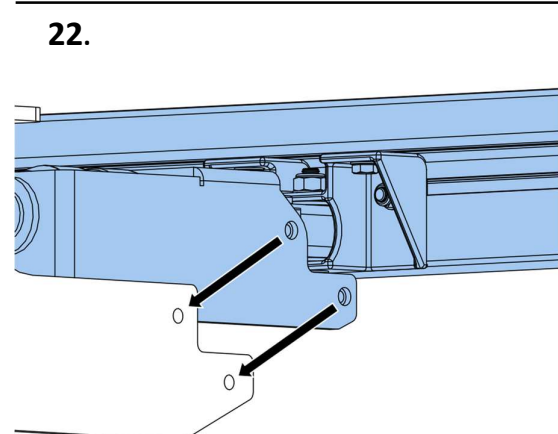
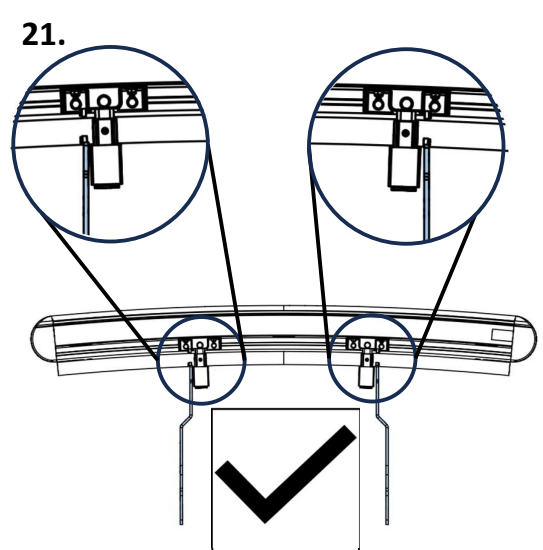
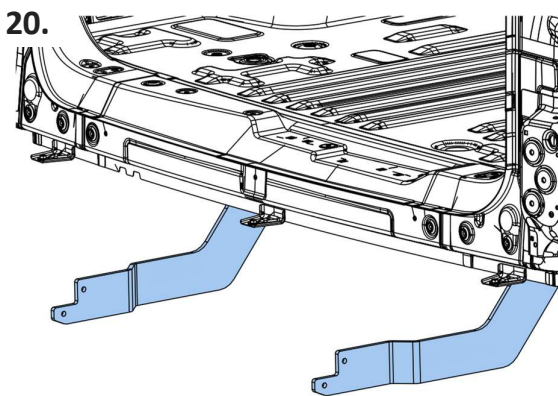
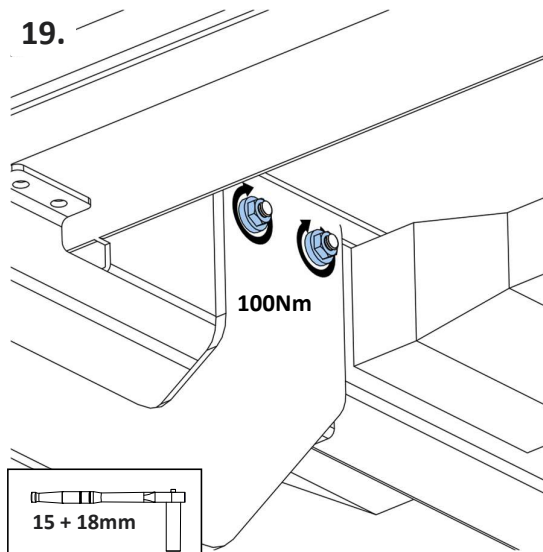
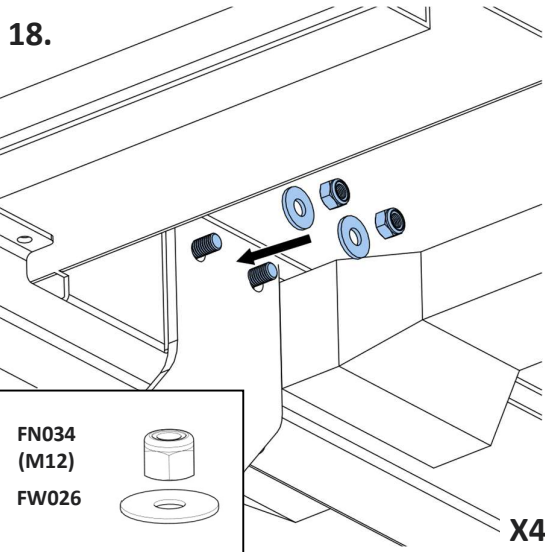




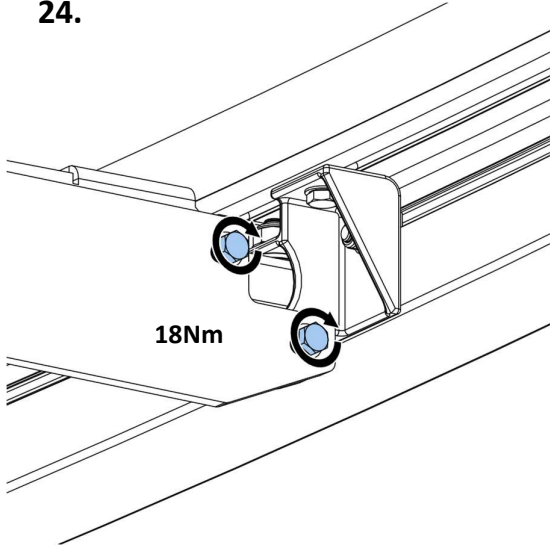




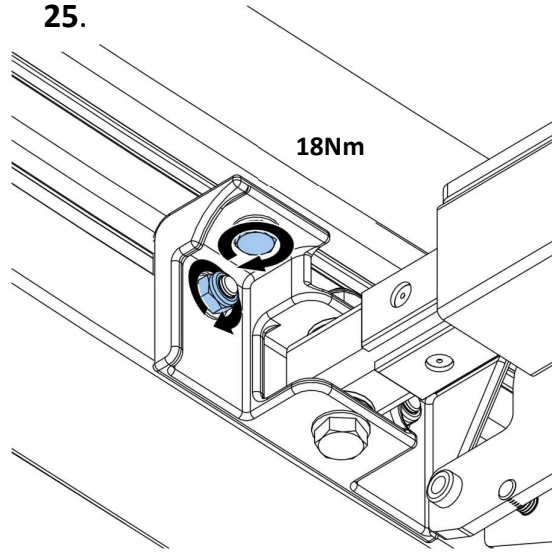




24.



25.



26.

