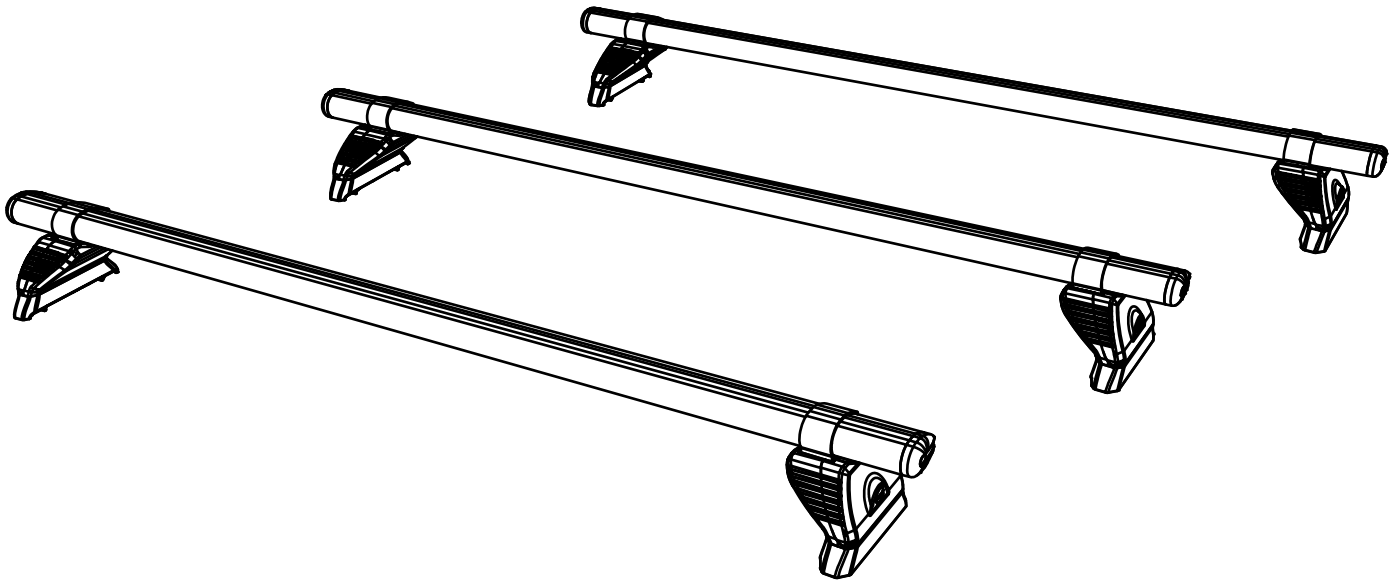


ISSUE:	DRAWN BY:	CHECKED BY:	CRF No:	DATE:	DESCRIPTION:
a	SJ	KB	2758	02/08/22	First Issue
b	MK	KB	2947	26/04/23	Removed PS404
c	YZL	KB	2958	22/05/23	Replaced SA070 with KLS2
d	FT	KB	3112	12/12/23	Added 6x PS491 and edited steps 4a-6b to include new Transit Custom 2023 fitment.
e	KB	EC	3287	25/06/24	Replaced SA420 with SA513 and SA394 with SA512
f	YZL	KB	3338	12/09/24	Added in new KammBar Black Codes.
g	FT	KB	3370	11/11/24	Removed 6x PS491 and added 8x PS615 to kit
h					
i					
j					
k					
l					
m					

TB3PR/FL

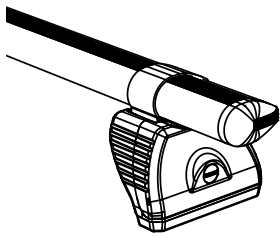
KammBar

Instructions

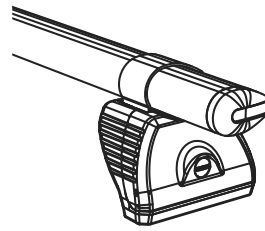


CITY CRASH (✓)

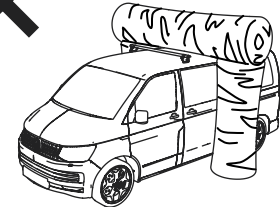
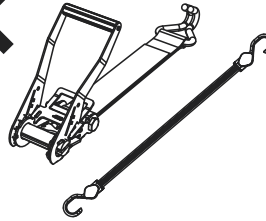
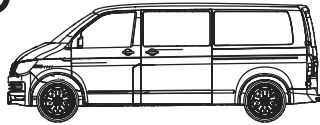
According to ISO/ PAS 11154:2006



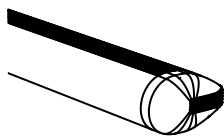
KammBar Pro & Black x 1
2.2kg/4.9lbs
Max
75kg/165lbs



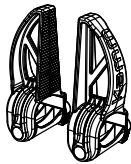
KammBar Fleet x 1
2.5kg/5.5lbs
Max
50kg/110lbs



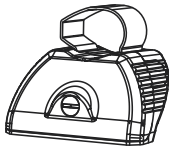
KammBar Pro & Black



**SA513/
SA538 x 3**



KLS2 x 1

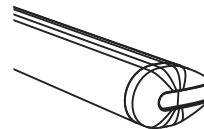


SA397 x 3

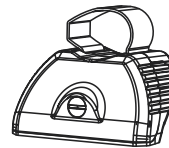


SA398 x 3

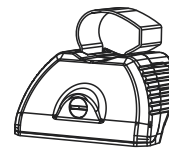
KammBar Fleet



SA512 x 3

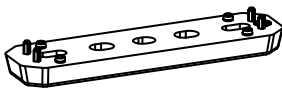


SA397 x 3

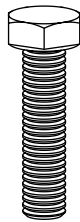


SA398 x 3

Fitting Kit



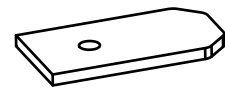
PS178 x 4



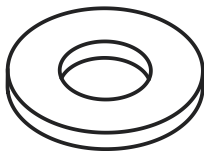
**FS062
(M8 x 25) x 4**



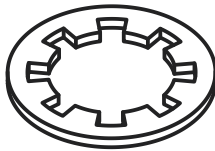
PS492 x 6



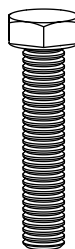
**PS491
(3mm)
x 6**



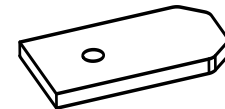
FW002 (M8) x 12



FW009 (M8) x 12



**FS061
(M8 x 35) x 8**



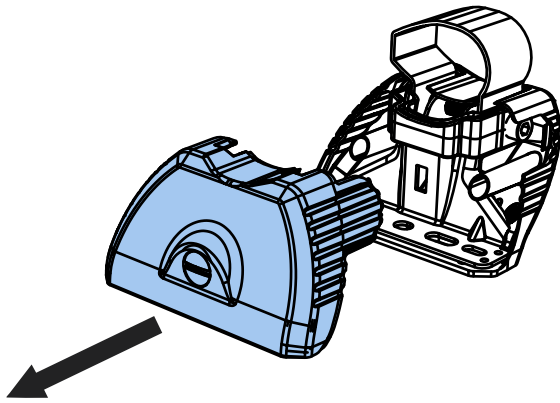
**PS615
(8mm)
x 8**



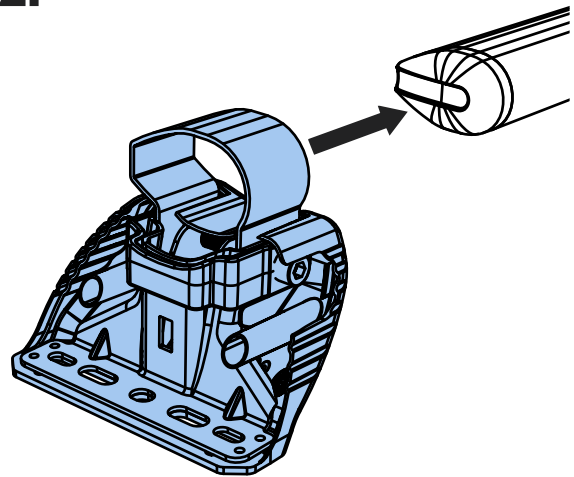
FT01 x 1



1.



2.



3.



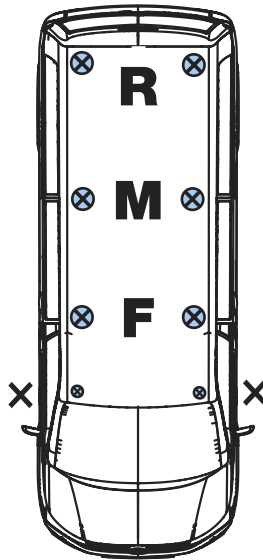
SA397
PS178



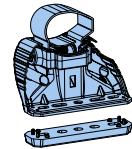
SA397



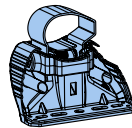
SA397
PS178



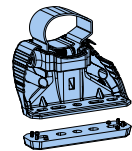
SA398
PS178



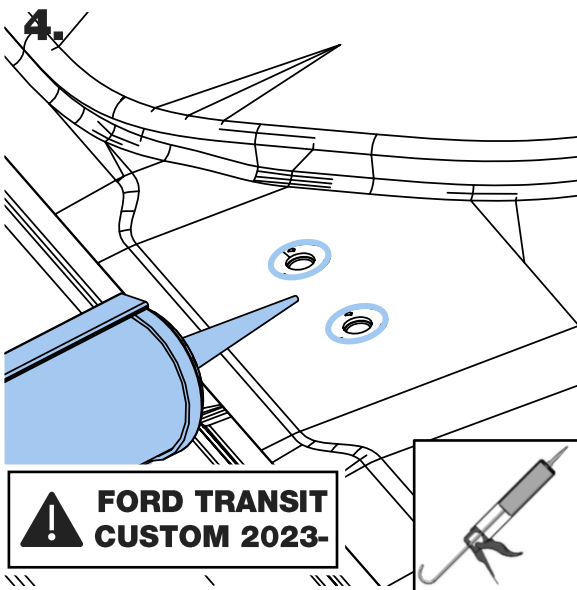
SA398



SA398
PS178

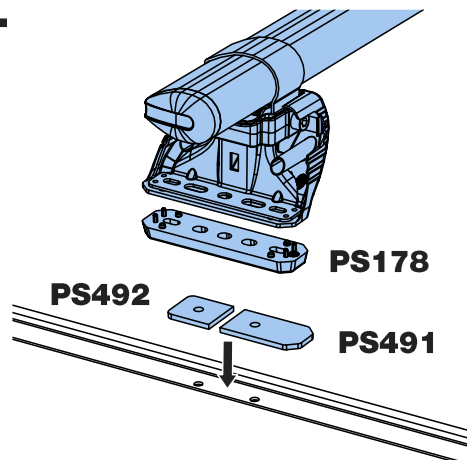


4.



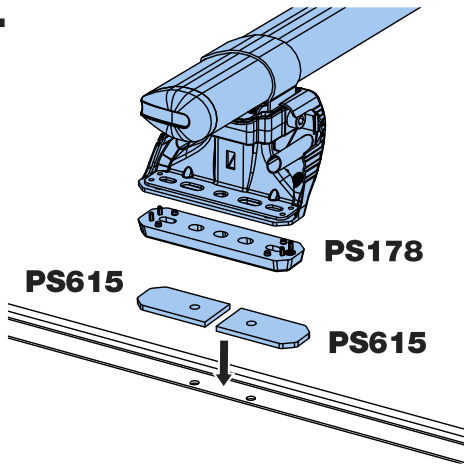
! FORD TRANSIT
CUSTOM 2023-

5a.



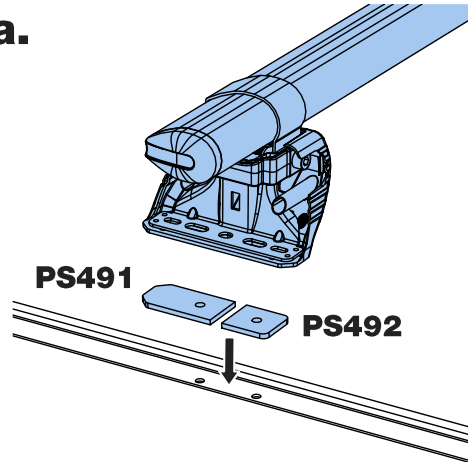
! FORD TRANSIT
CUSTOM 2012-2023 **R**

5b.



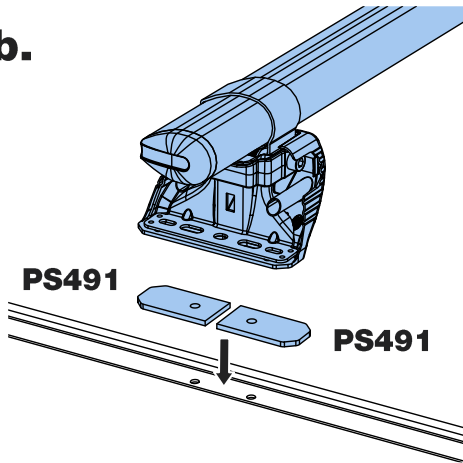
! FORD TRANSIT
CUSTOM 2023- **R**

6a.



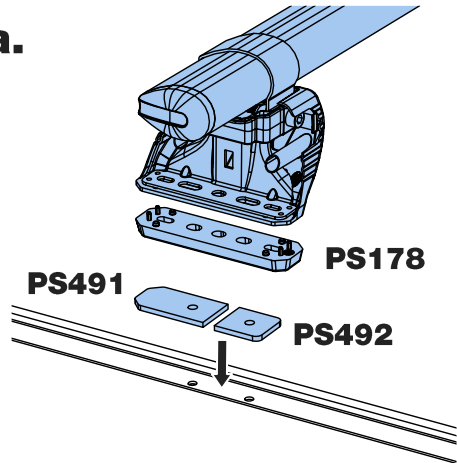
! FORD TRANSIT
CUSTOM 2012-2023 **M**

6b.



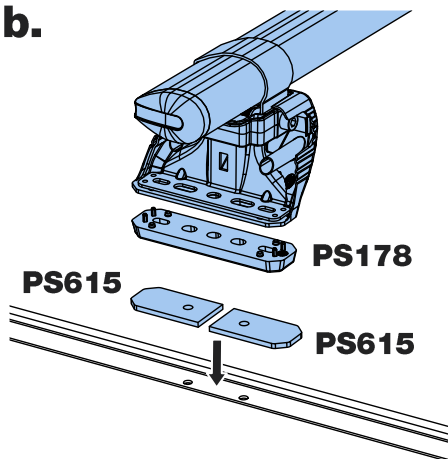
! FORD TRANSIT
CUSTOM 2023- **M**

7a.



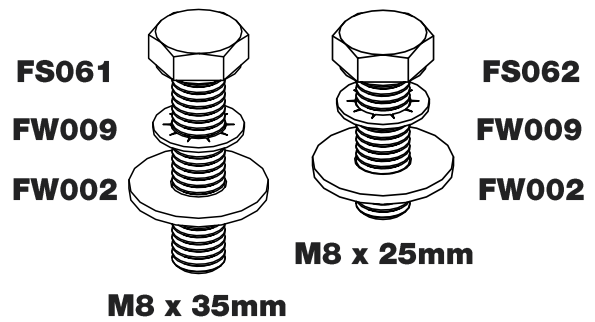
! FORD TRANSIT
CUSTOM 2012-2023 **F**

7b.

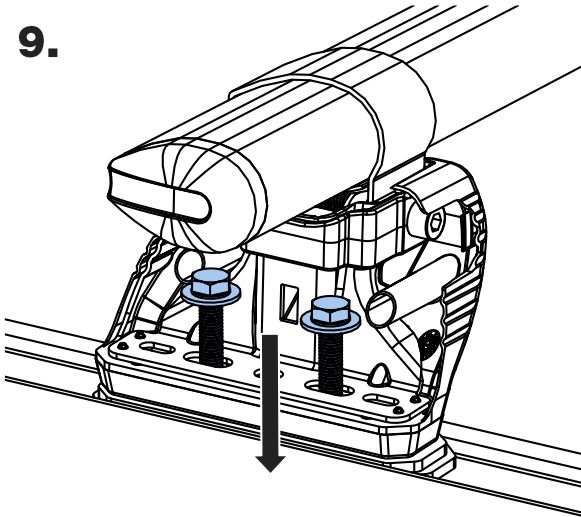


! FORD TRANSIT
CUSTOM 2023- **F**

8.

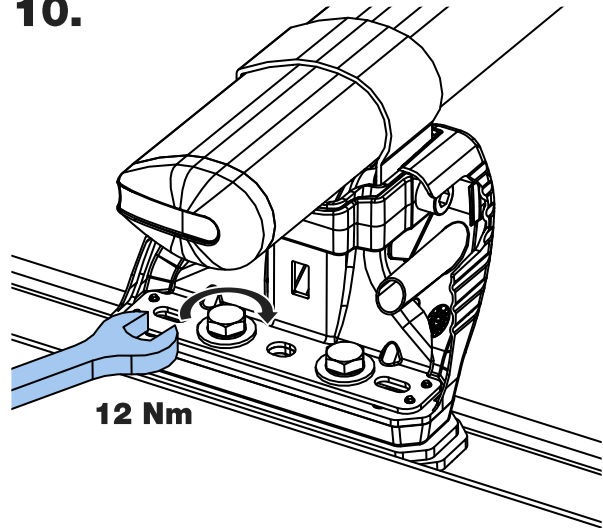


9.

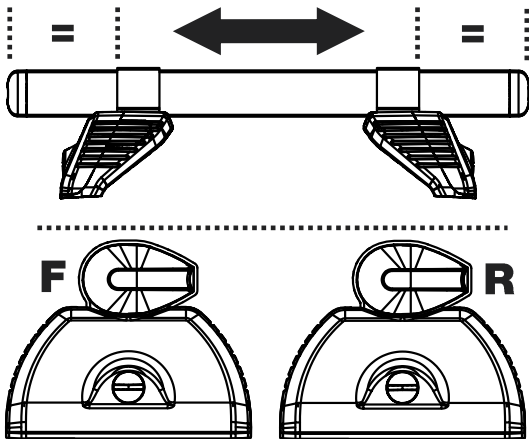


F/R - PS178 + M8 x 35mm
M - M8 x 25mm

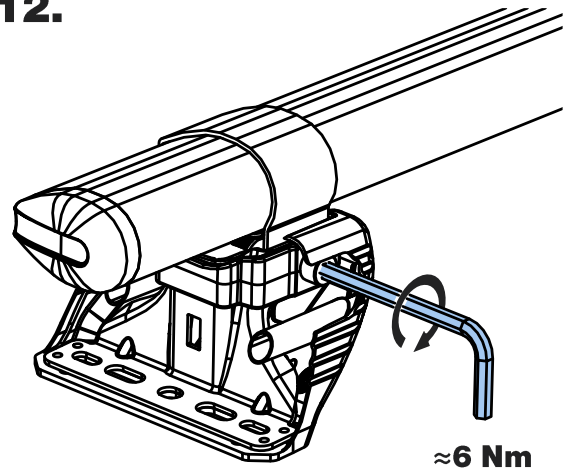
10.



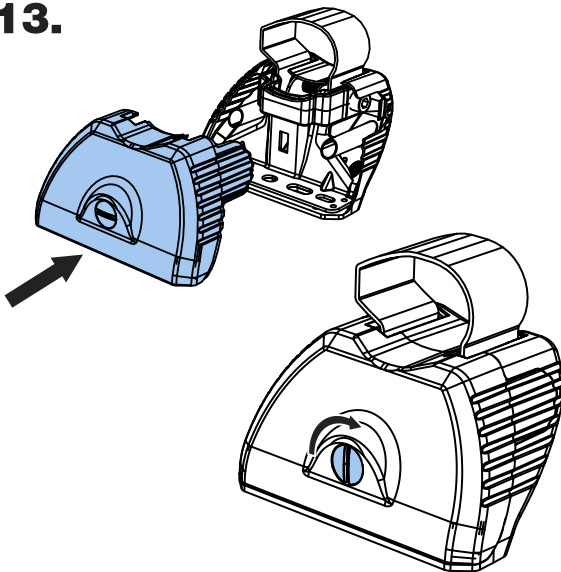
11.



12.



13.



14.

