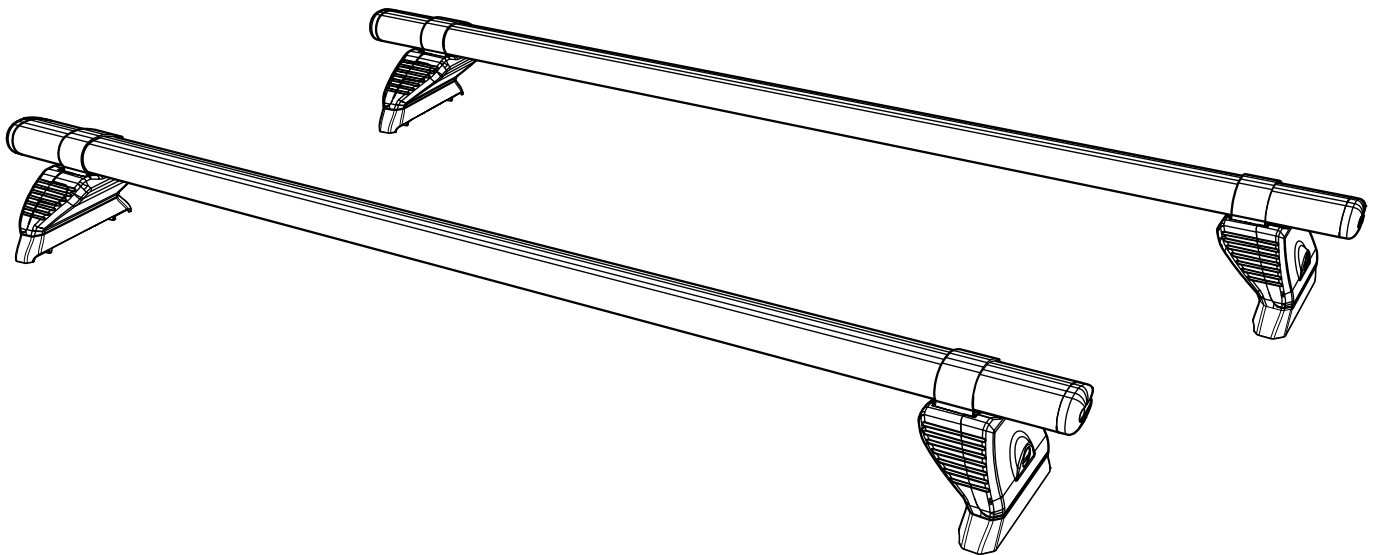


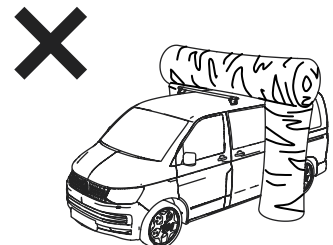
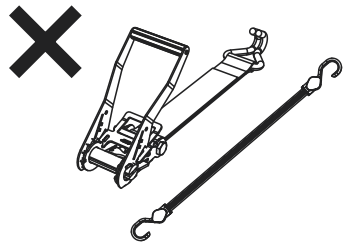
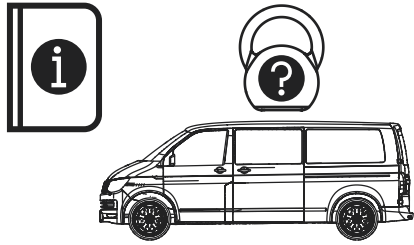
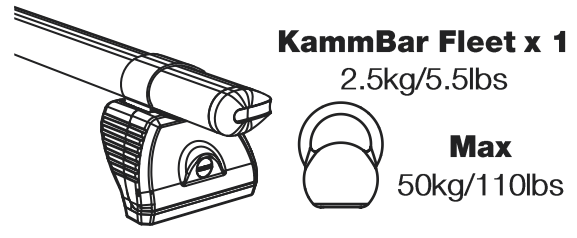
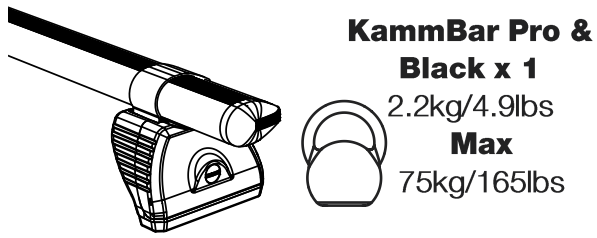
# VA2PR KammBar

## Instructions

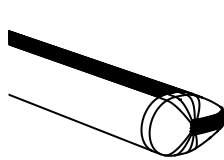


**CITY CRASH (✓)**

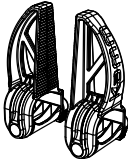
According to ISO/ PAS 11154:2006



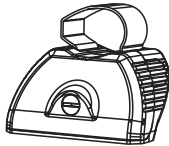
### KammBar Pro & Black



**SA421/  
SA538 x 2**



**KLS2 x 1**

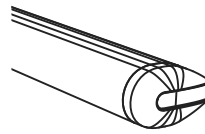


**SA397 x 2**

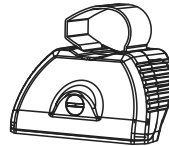


**SA398 x 2**

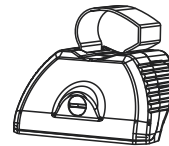
### KammBar Fleet



**SA395 x 2**

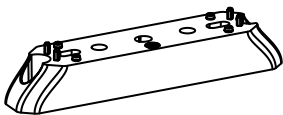


**SA397 x 2**

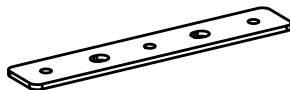


**SA398 x 2**

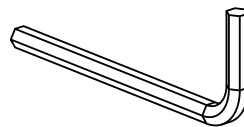
### Fitting Kit



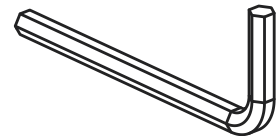
**PS186 x 4**



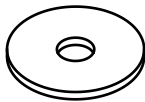
**PS210 x 4**



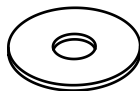
**FT02 x 1**



**FT01 x 1**



**PS208 (M6) x 2**



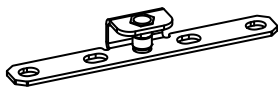
**FW036 (M6) x 2**



**PS209 (M6) x 4**



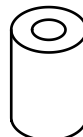
**FW001 (M6) x 4**



**SA069 x 2**



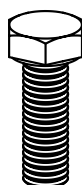
**FW002 (M8) x 2**



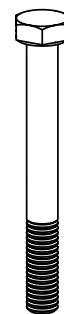
**TP030 (M6) x 2**



**FS103  
(M6 x 25) x 4**

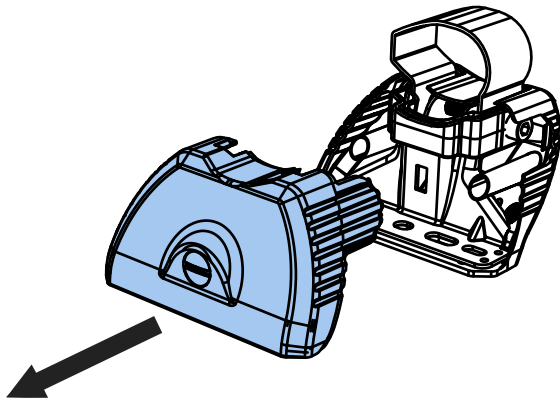


**FS062  
(M8 x 25) x 2**

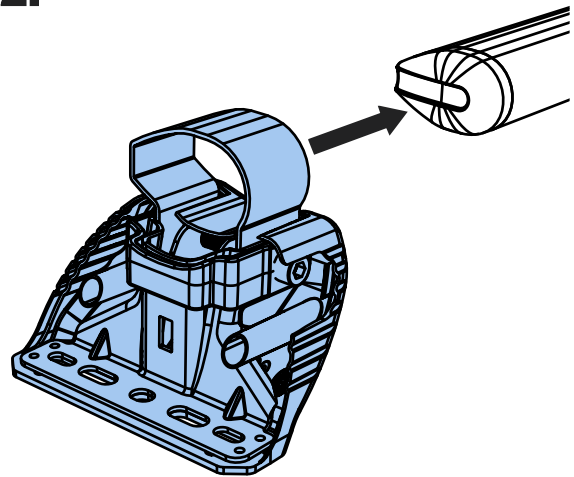


**FB001  
(M6 x 55) x 2**

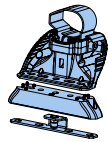
1.



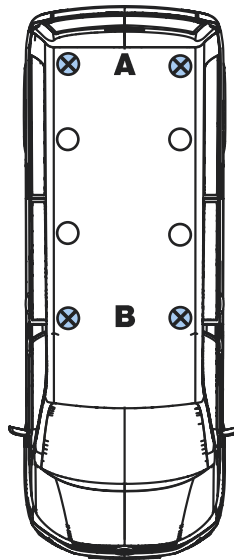
2.



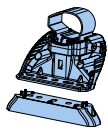
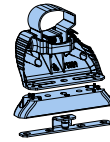
3.



SA397  
PS186  
SA069

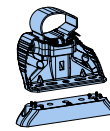


SA398  
PS186  
SA069

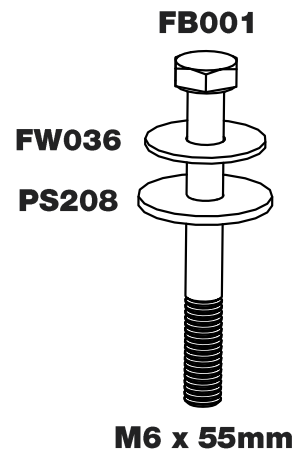
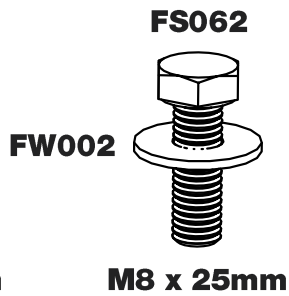
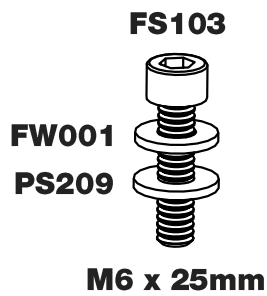


SA397  
PS186

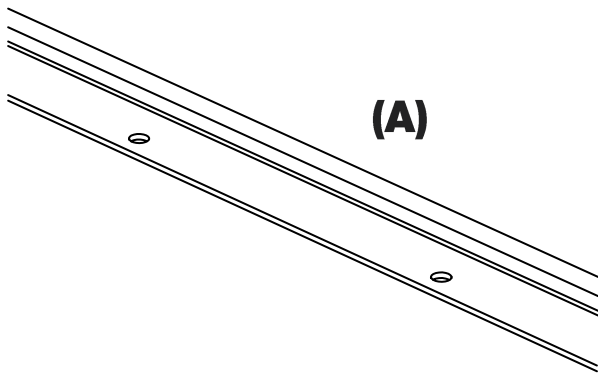
SA398  
PS186



4.



5.

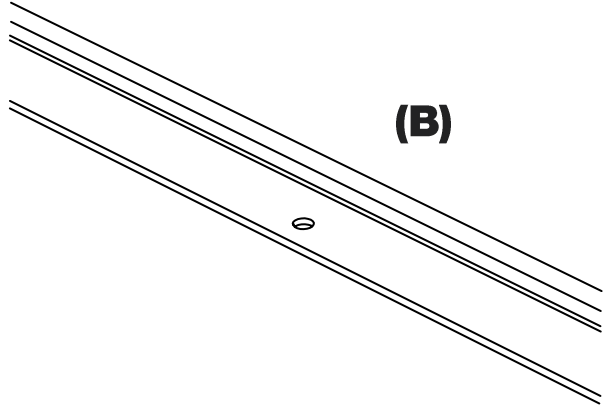


(A)



7-13, 17-20.

6.

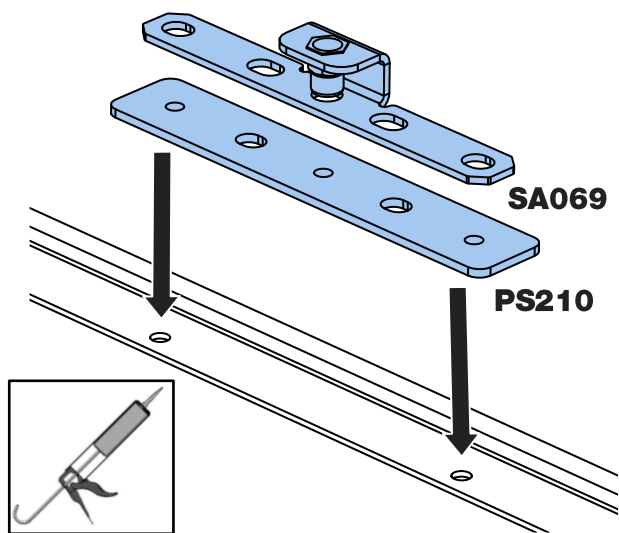


(B)



14-20.

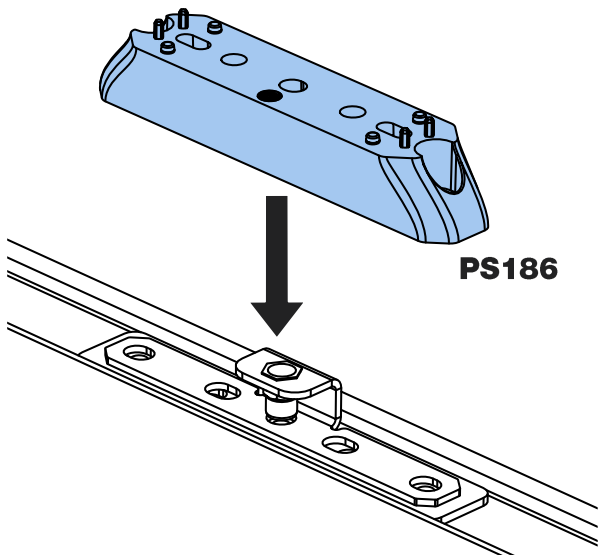
7.



SA069

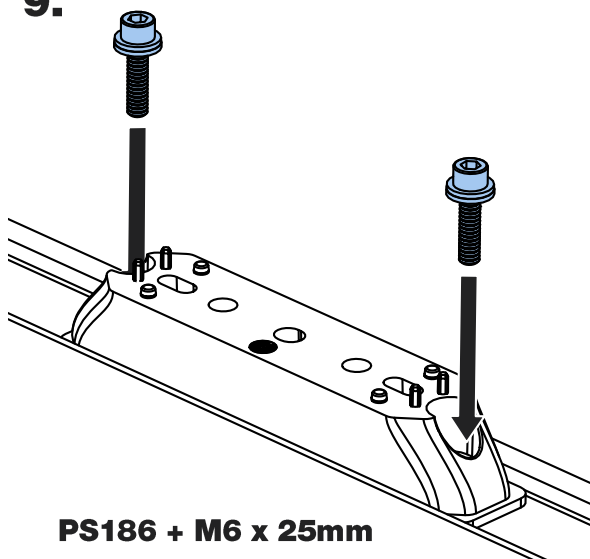
PS210

8.



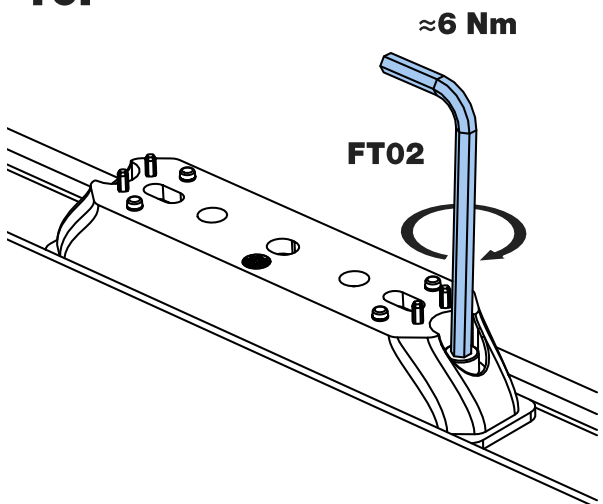
PS186

9.



PS186 + M6 x 25mm

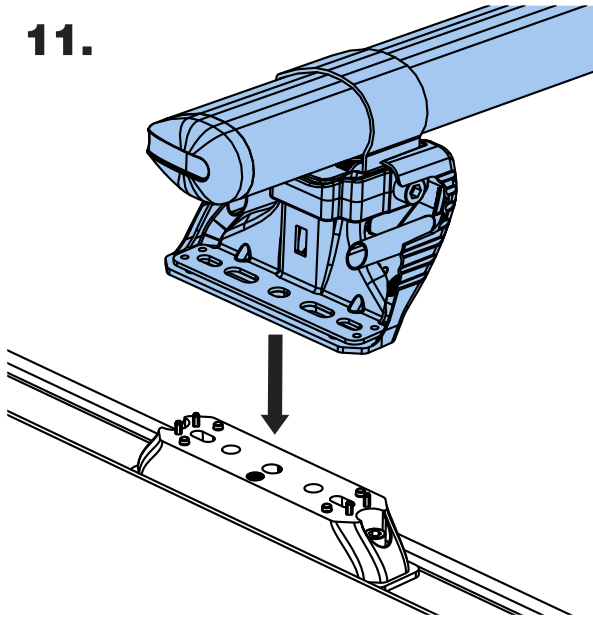
10.



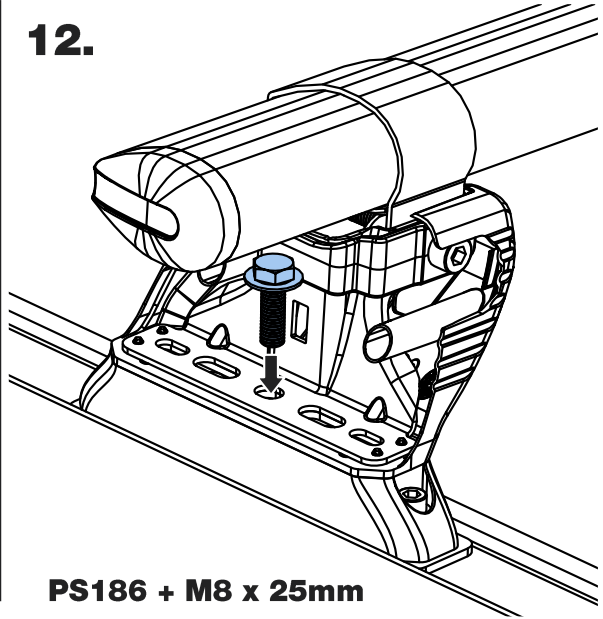
≈ 6 Nm

FT02

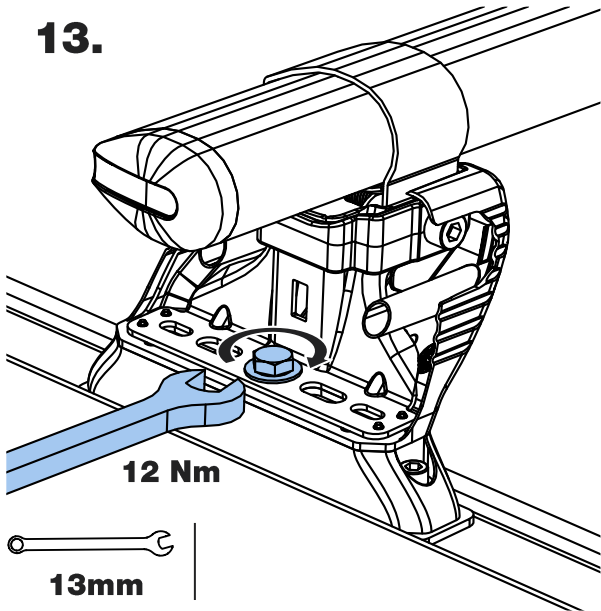
11.



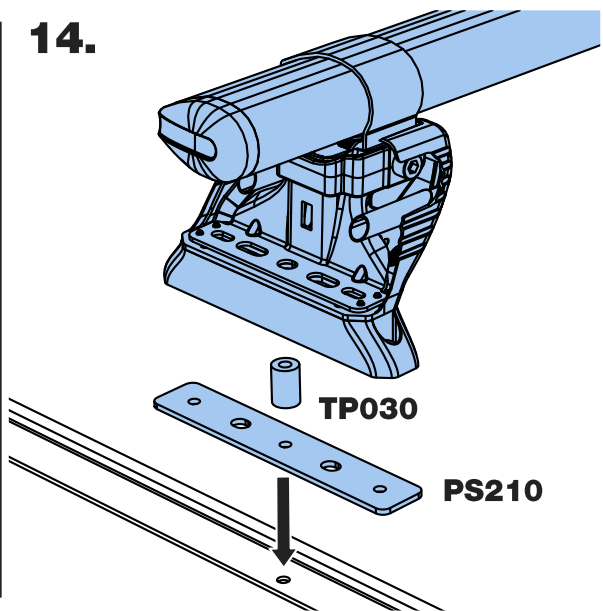
12.



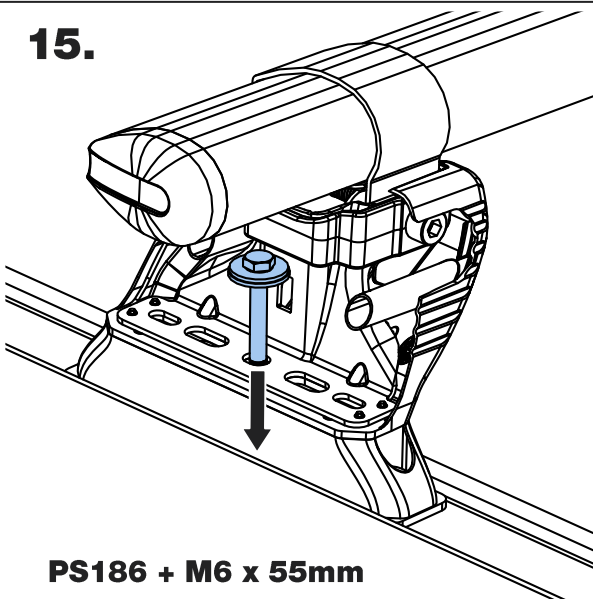
13.



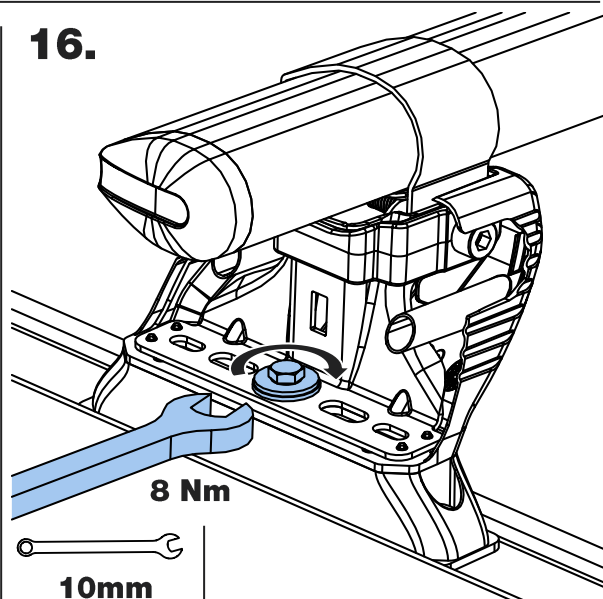
14.



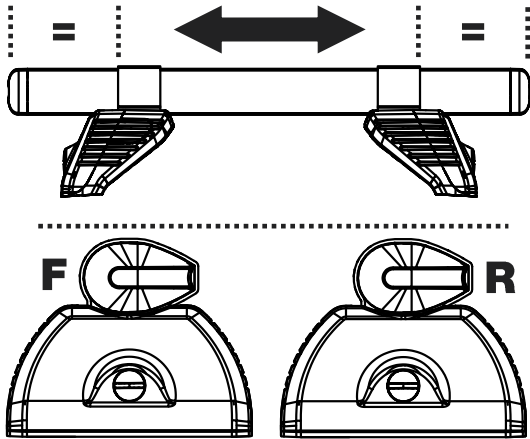
15.



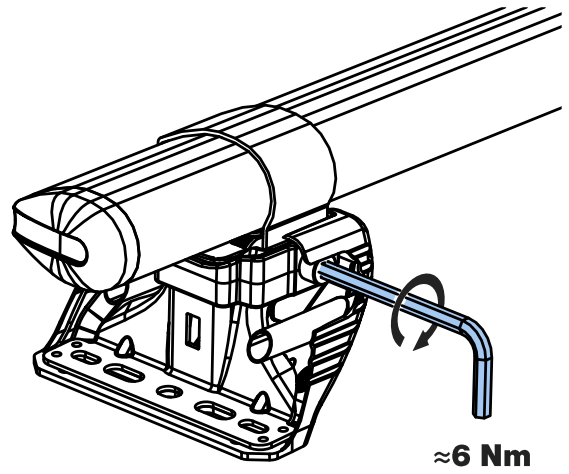
16.



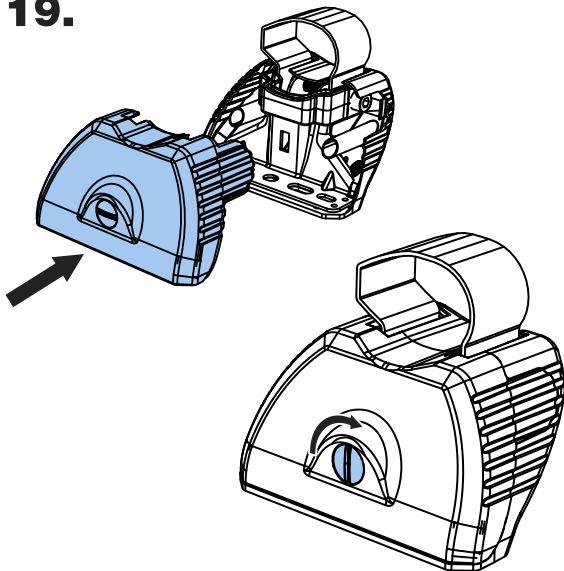
17.



18.



19.



20.

